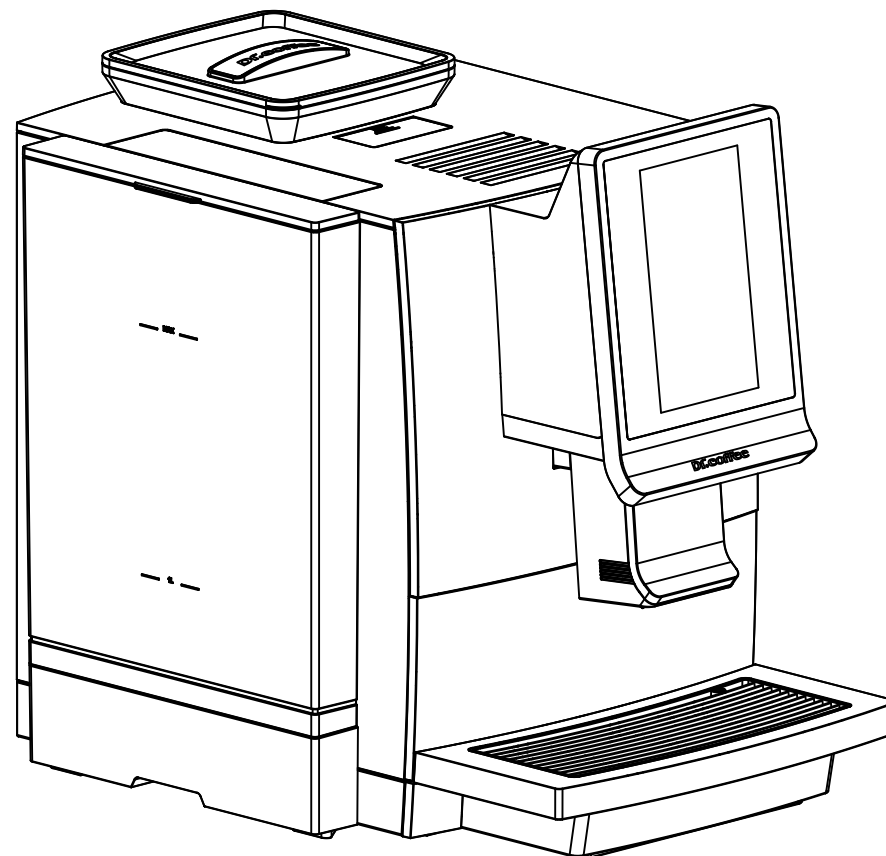


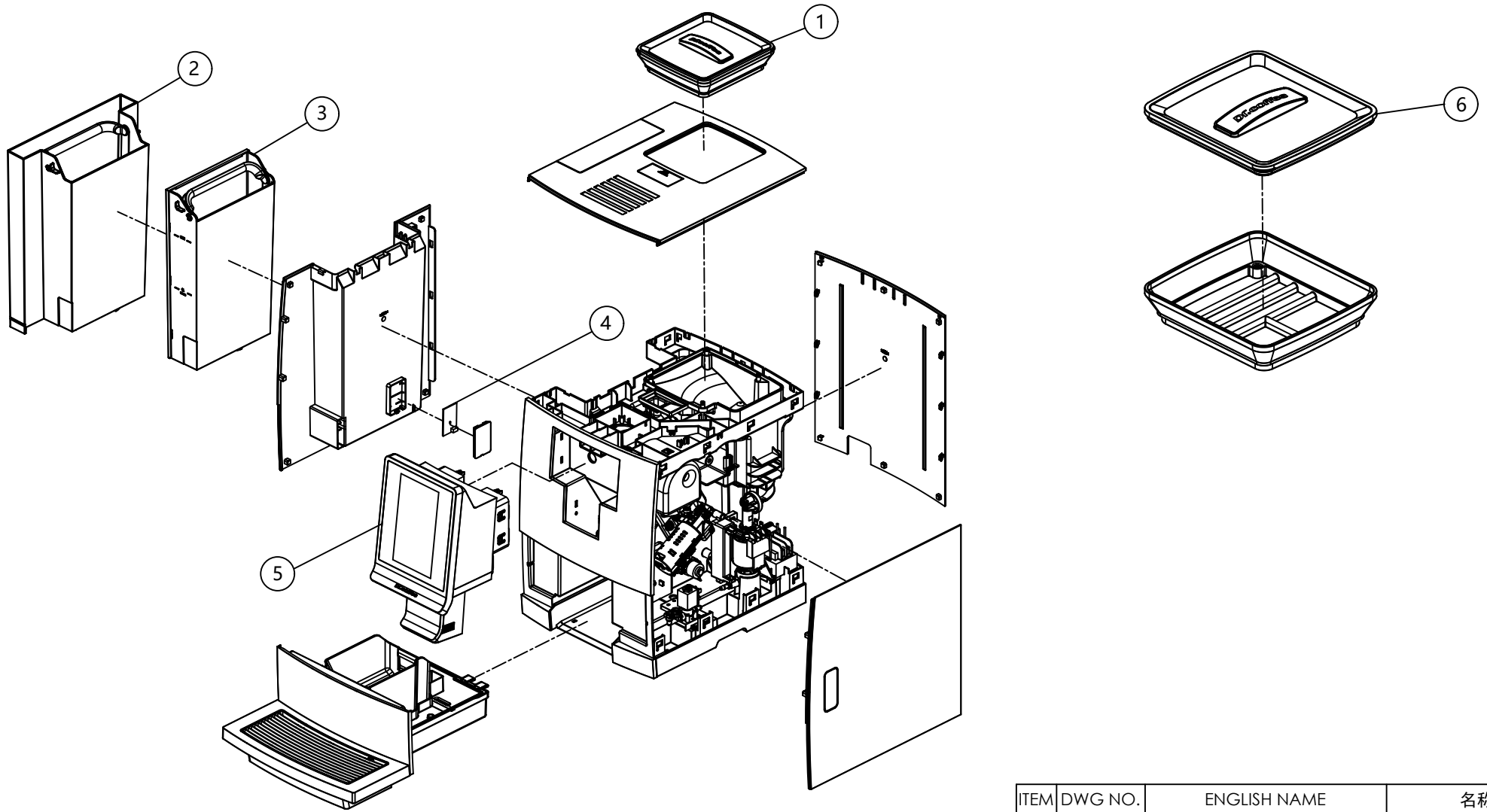
F08/H08 Explosive view

ISSUE: 02

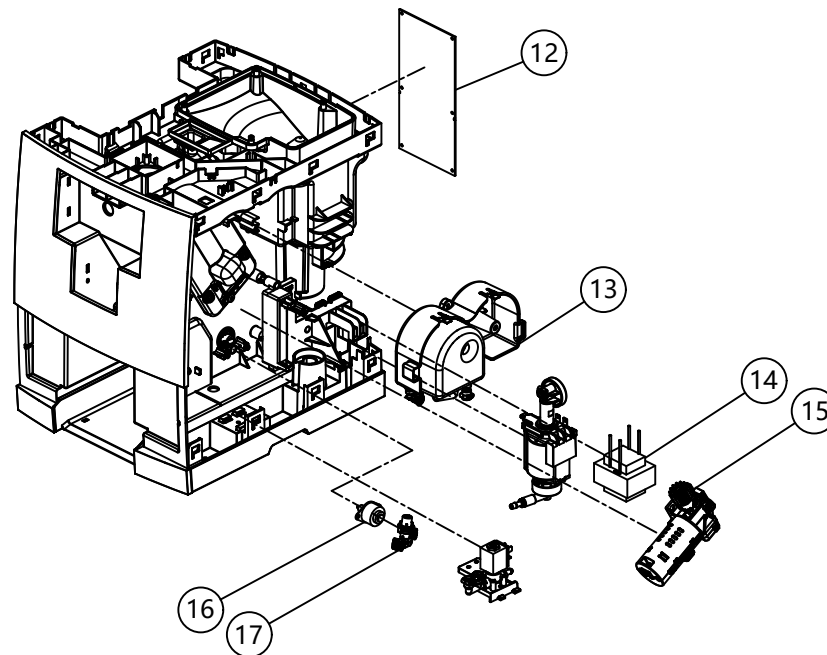
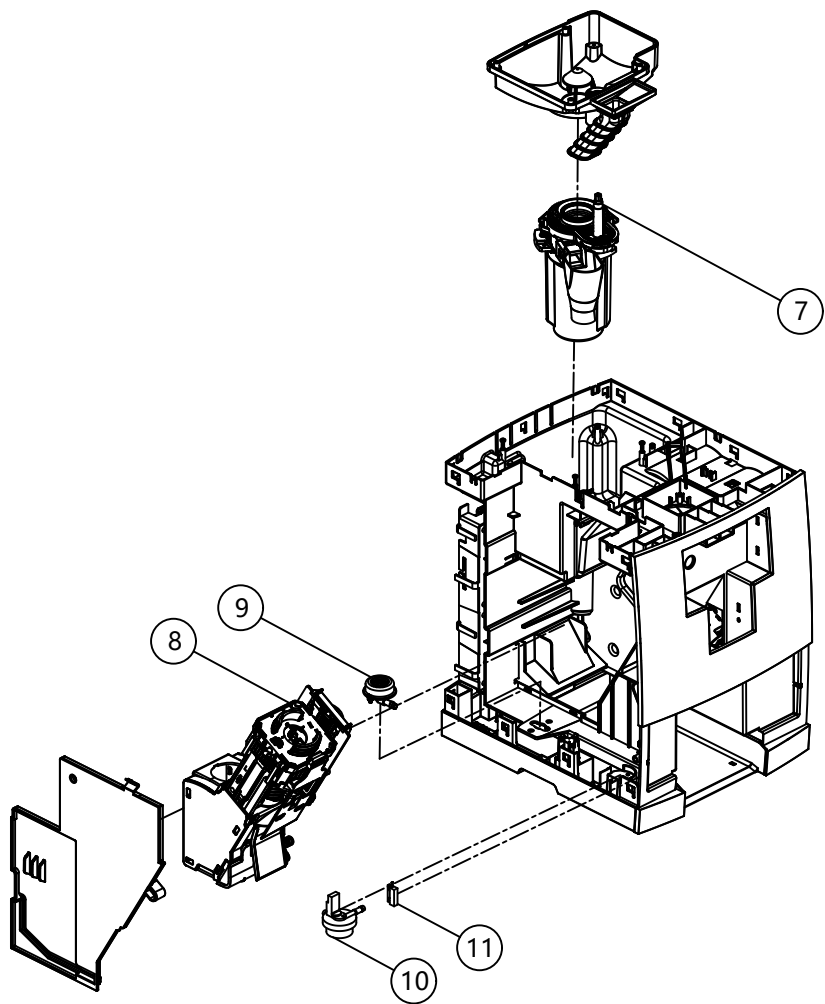


Content

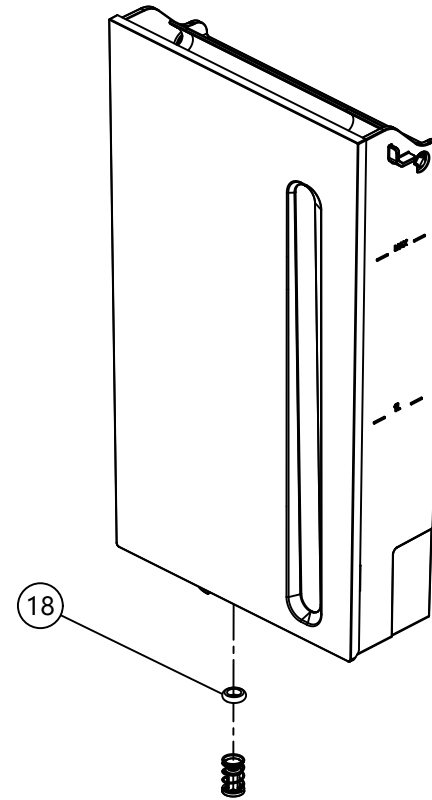
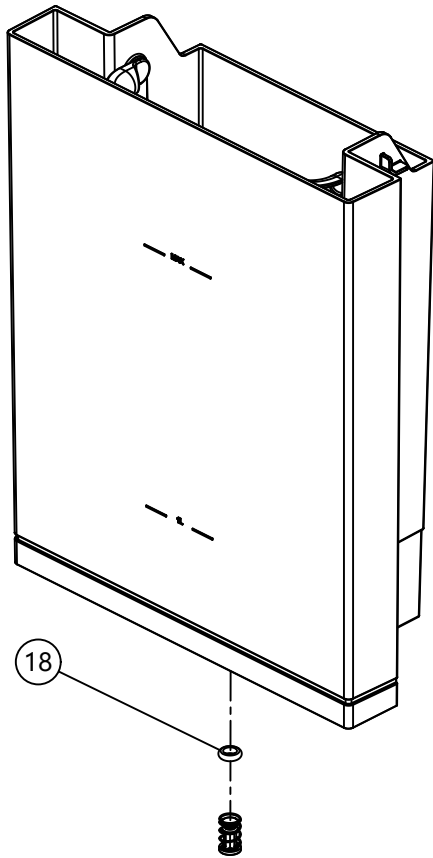
Appearance group.....	.01
Body holder.....	.02
Water tank group.....	.03
Front pannel assembly.....	.04
Drip tray group.....	.05
Brew group.....	.06
Thermoblock assembly.....	.07
Pump group.....	.08
Ginder group.....	.09
Water inlet valve group.....	.10
Solenoid valve group.....	.11



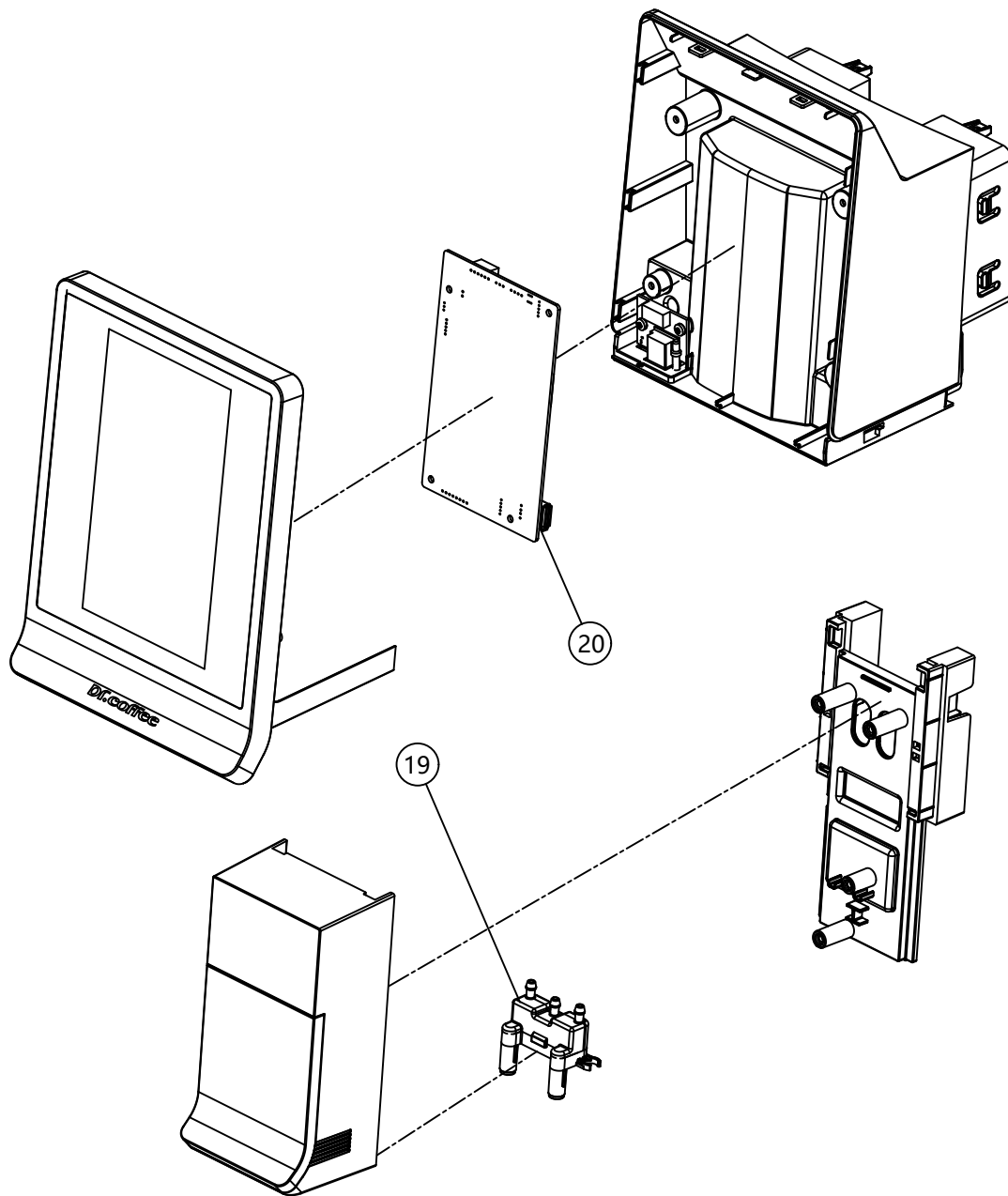
ITEM	DWG NO.	ENGLISH NAME	名称
1	7NN0313	Bean container Group	F10豆盒组
2	7NN0319	Big water tank group(F08)	F10大水箱组(F08)
3	7NN0017	Small water tank group(H08)	F11小水箱组(H08)
4	8D10027	Water level detection PCBA	水位检测PCB
5	7NN0322	Front pannel assembly	F08前面板组
6	7NN0121	Bean container cover	F11豆盒盖组



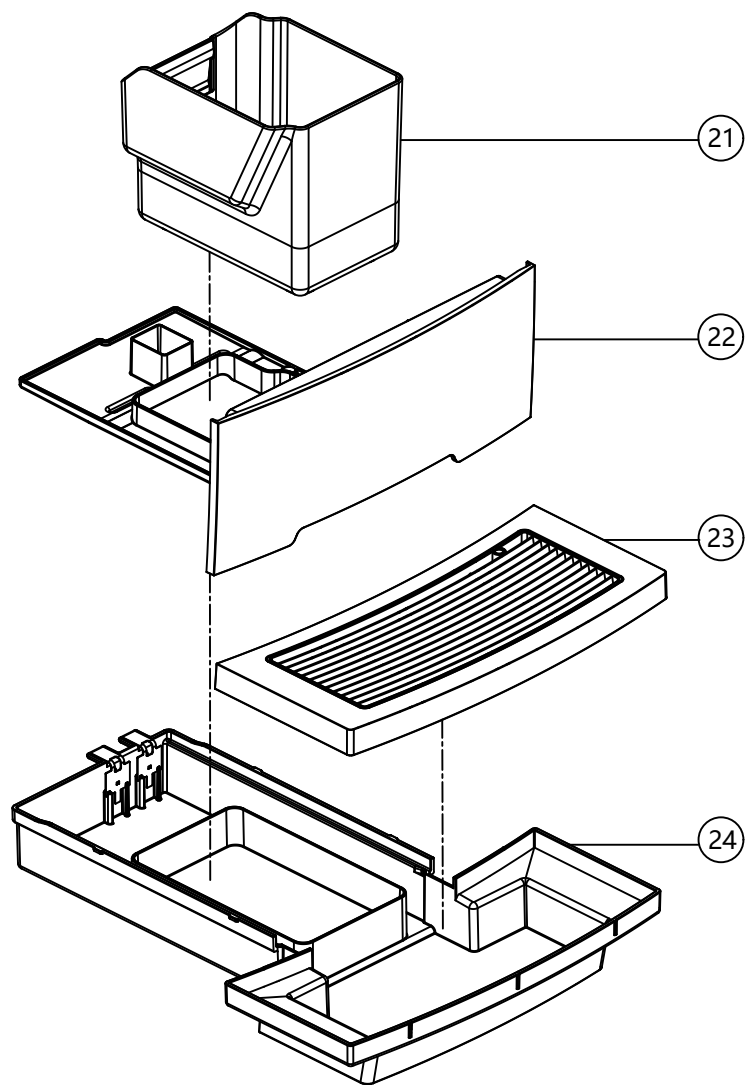
ITEM	DWG NO.	ENGLISH NAME	名称	ITEM	DWG NO.	ENGLISH NAME	名称
				12	8D10042	Main PCBA	F08主板
7	7NN0112	Ginder group	F09磨豆组	13	7NN0320	Thermoblock assembly	F08电热盘组
8	7NN0103	Brew group	F09冲泡器组	14	8D30016	Transfomer	F11变压器
9	7NN0014	Water inlet valve group	F11导水座组	15	7NN0115	Brew motor group	F11传动组
10	8D30017	Flowmeter270° (1.2mm)	流量计270度 (1.2mm)	16	8D30014	Stepmotor	泄压步进电机
11	8D30013	Reed switch	干簧管	17	7NN0009	Dispenser valve 3W	蓄压阀组



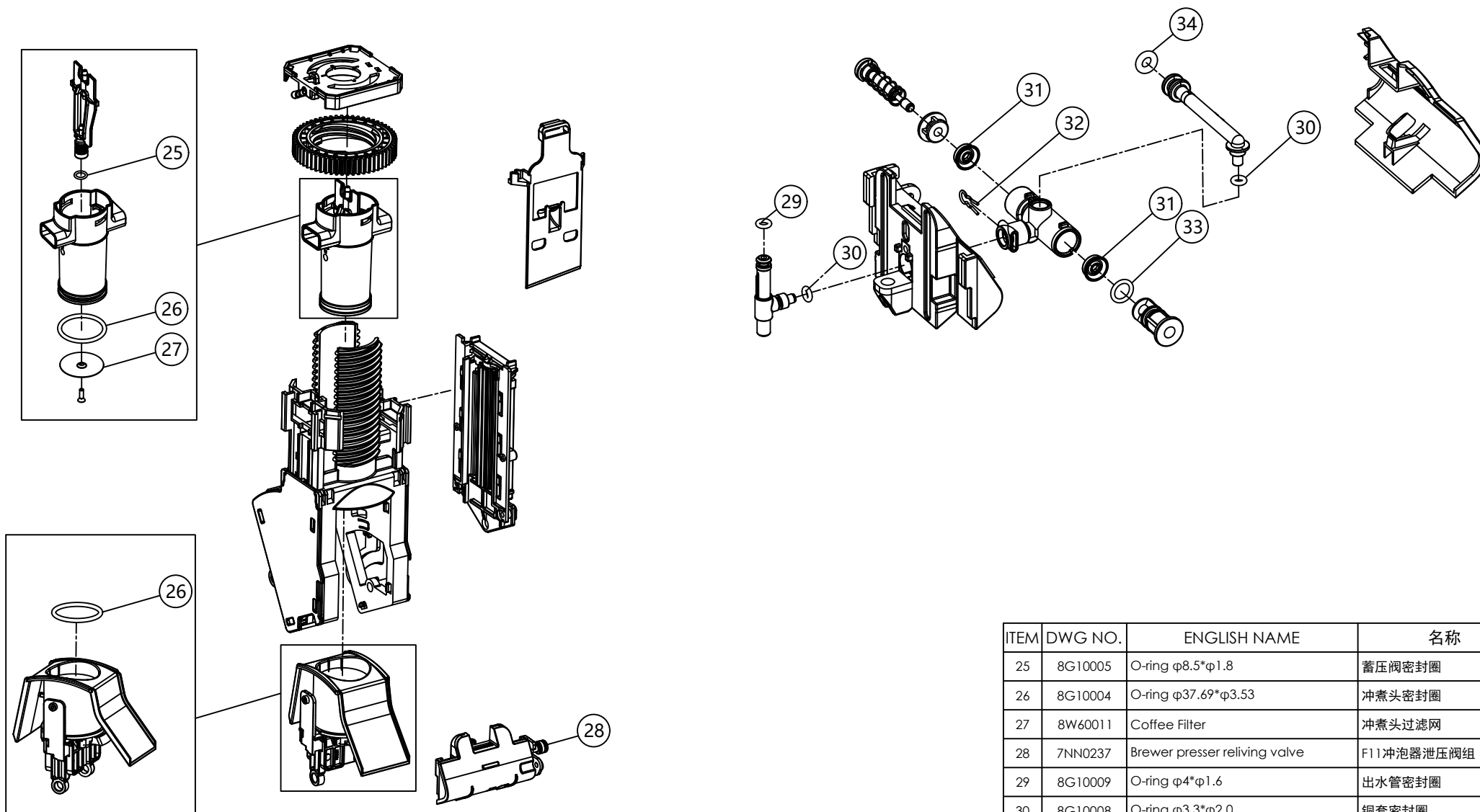
ITEM	DWG NO.	ENGLISH NAME	名称
18	8G10021	O-ring $\phi 5.0 \times \phi 3.75$	大小水箱止逆阀密封圈



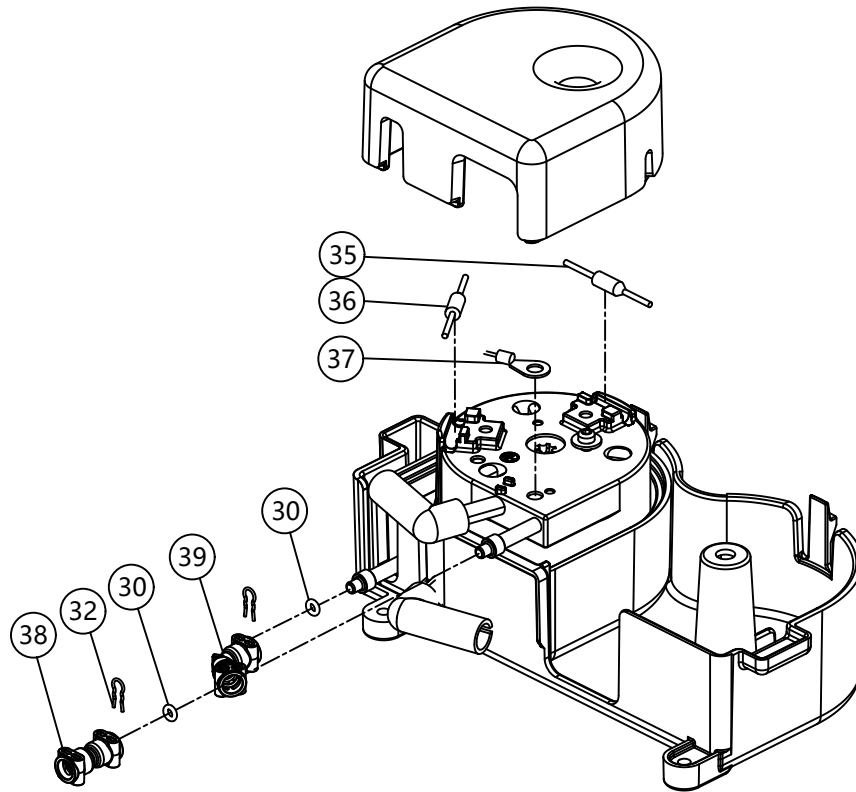
ITEM	DWG NO.	ENGLISH NAME	名称
19	8S10333	Coffee outlet	咖啡出口
20	8D10040	HMI PCBA	F10HMI板



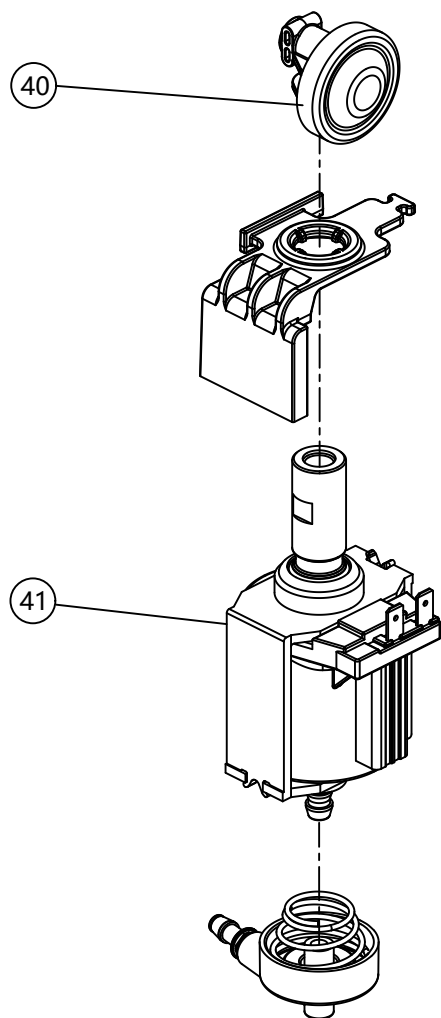
ITEM	DWG NO.	ENGLISH NAME	名称
21	7NN0368	Coffee grounds container	F10废渣盒
22	7NN0540	Coffee grounds container support(silver)	F11废渣盒支撑板(银色)
	7NN0547	Coffee grounds container support(black)	F11废渣盒支撑板(黑色)
	7NN0548	Coffee grounds container support(white)	F11废渣盒支撑板(白色)
	7NN0549	Coffee grounds container support(wine red)	F11废渣盒支撑板(酒红色)
	7NN0550	Coffee grounds container support(orange)	OCS废渣盒支撑板(橙黄色)
	7NN0551	Coffee grounds container support(milky white)	OCS废渣盒支撑板(奶白色)
	7NN0552	Coffee grounds container support(ice blue)	OCS废渣盒支撑板(冰蓝色)
23	7NN0124	Drip tray grill assembly	F11蓄水盘盖组
24	7NN0543	Drip tray	F10蓄水盘



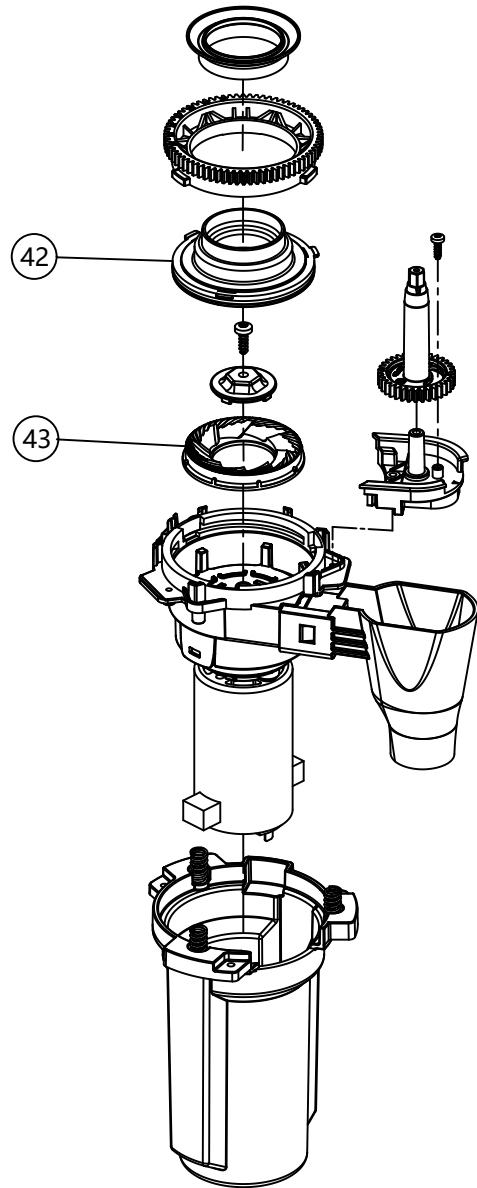
ITEM	DWG NO.	ENGLISH NAME	名称
25	8G10005	O-ring $\phi 8.5 \times \phi 1.8$	蓄压阀密封圈
26	8G10004	O-ring $\phi 37.69 \times \phi 3.53$	冲煮头密封圈
27	8W60011	Coffee Filter	冲煮头过滤网
28	7NN0237	Brewer presser reliving valve	F11冲泡器泄压阀组
29	8G10009	O-ring $\phi 4 \times \phi 1.6$	出水管密封圈
30	8G10008	O-ring $\phi 3.3 \times \phi 2.0$	铜套密封圈
31	8G20007	Y-ring $\phi 12.20 \times \phi 3.65$	泄压阀Y型密封圈
32	8W50023	Spring clip	通用弹簧夹
33	8G10007	O-ring $\phi 8 \times \phi 1.8$	泄水管密封圈
34	8G10001	O-ring $\phi 5.0 \times \phi 3.0$	水箱止逆阀密封圈



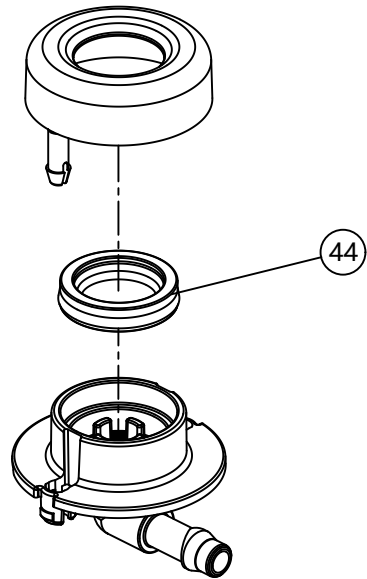
ITEM	DWG NO.	ENGLISH NAME	名称
35	8D20237	Coffee fused-cord-L	咖啡电热盘火线
36	8D20238	Coffee fused-cord-N	咖啡电热盘零线
37	8D30004	Temperature Sensor	电热盘NTC
38	8S10058	Fitting	直通接头
32	8W50023	Spring clip	通用弹簧夹
30	8G10008	O-ring $\phi 3.3 * \phi 2.0$	铜套密封圈
39	8S10428	Fitting	120度两通接头



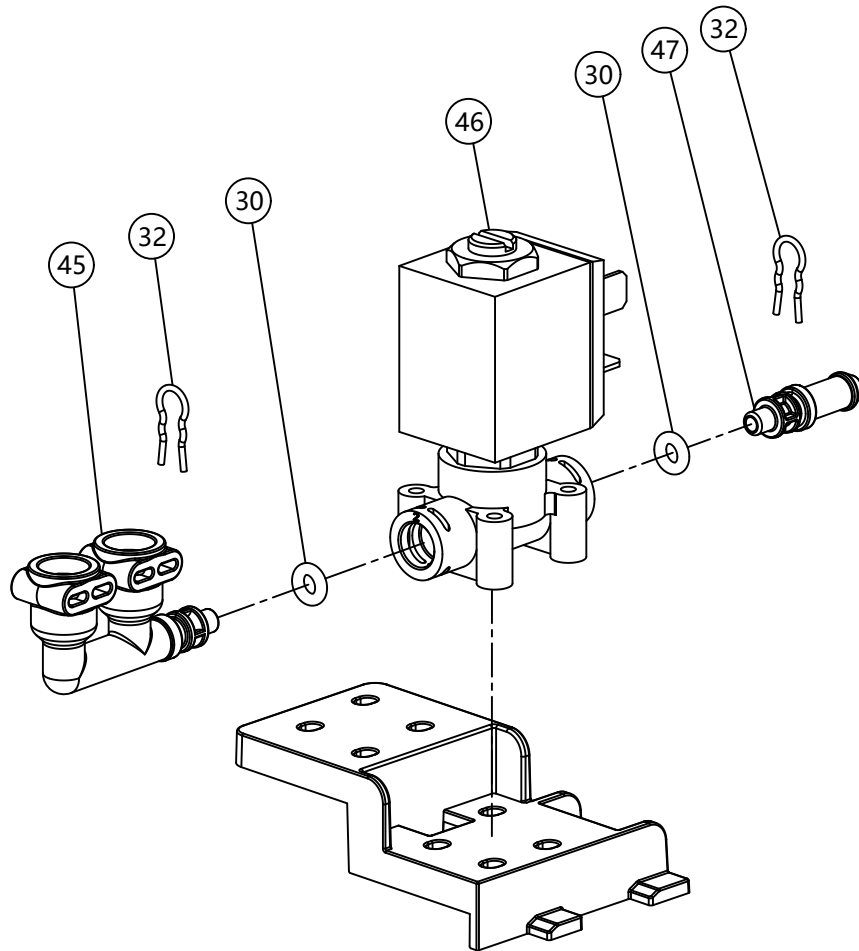
ITEM	DWG NO.	ENGLISH NAME	名称
40	7NN0012	Membrane controller group	稳压阀组
41	8D30051	Pump (220-240V 50Hz)	水泵 (220-240V 50Hz)
	8D30052	Pump (220-240V 60Hz)	水泵 (220-240V 60Hz)



ITEM	DWG NO.	ENGLISH NAME	名称
42	7NN0119	Upper grinder burr assembly	上刀盘组
43	8T10003	Grinder burr	磨豆刀



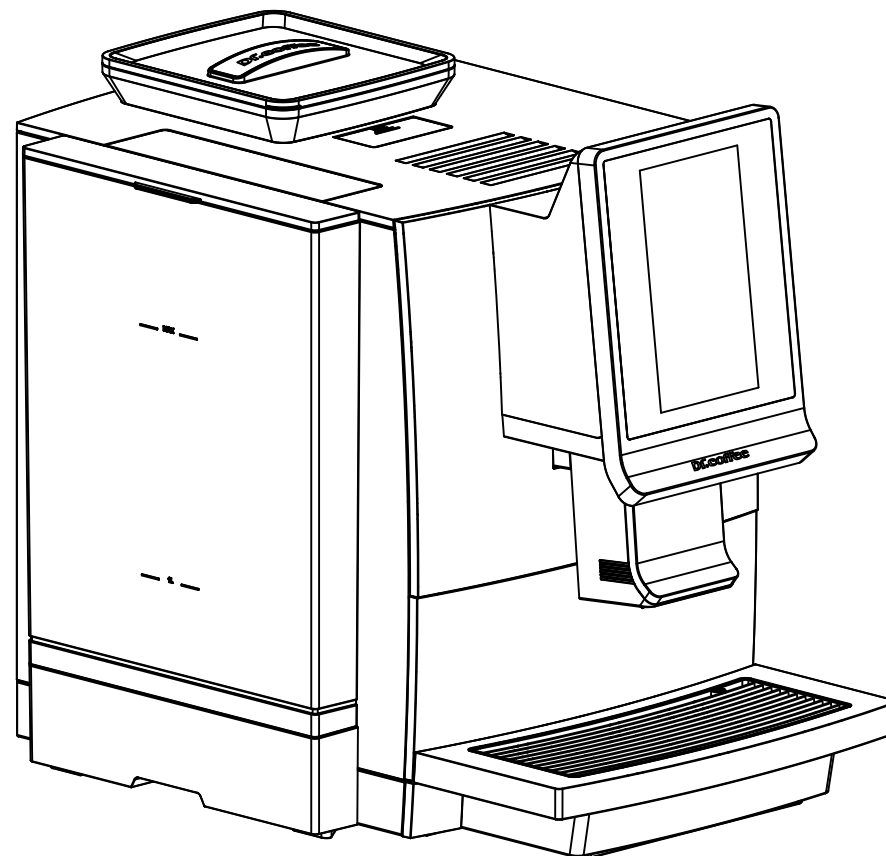
ITEM	DWG NO.	ENGLISH NAME	名称
44	8G20014	Y-ring $\phi 22.67 * \phi 13.90$	导水座Y型密封圈



ITEM	DWG NO.	ENGLISH NAME	名称
45	8S10059	Fitting	F型接头
32	8W50023	Spring clip	通用弹簧夹
30	8G10008	O-ring $\phi 3.3 \times \phi 2.0$	铜套密封圈
46	8D30021	Solenoid valve 2W	两通电磁阀
47	8S10350	Hose connector(5*9)	软管接头 (5*9)

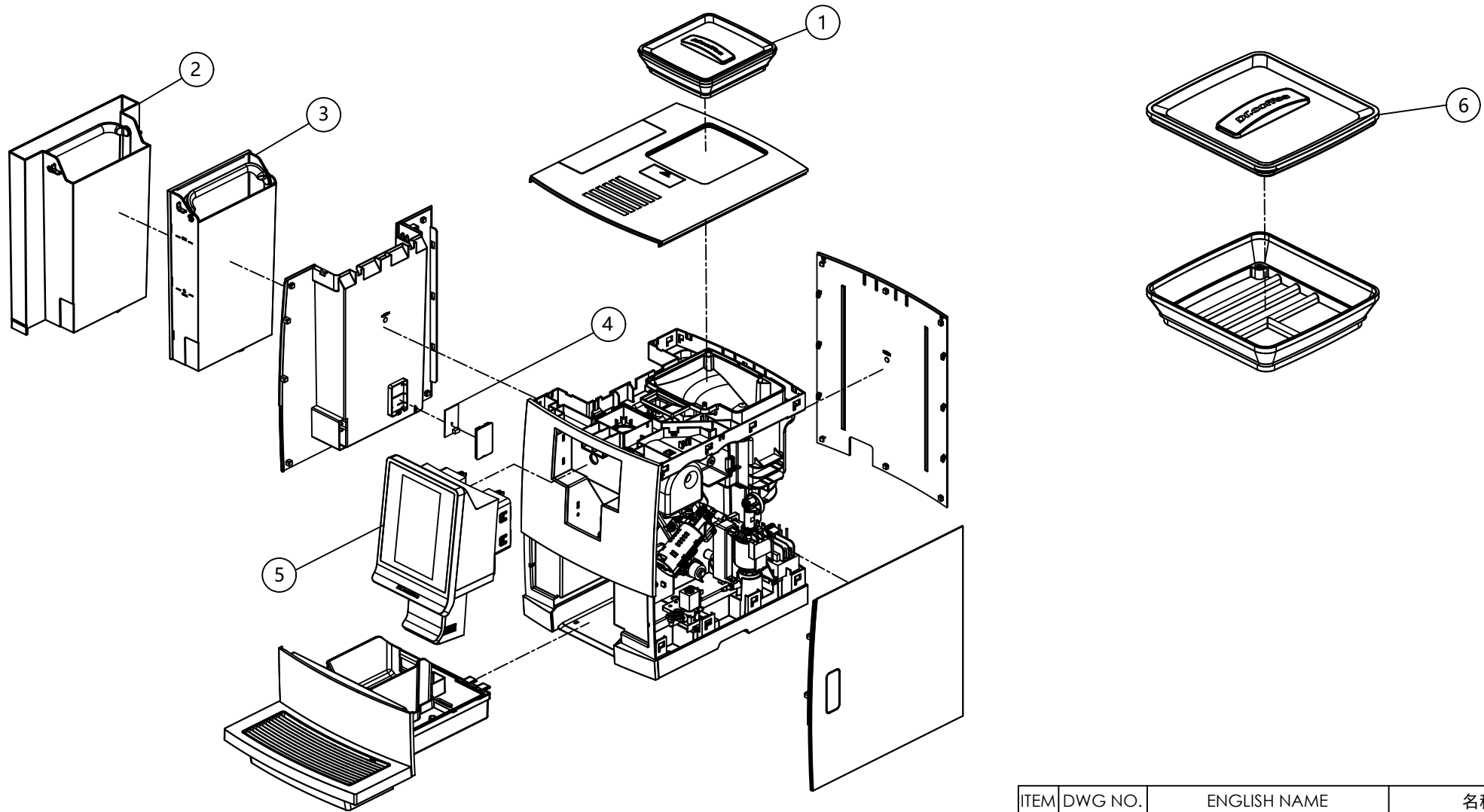
F08/H08 Explosive view

ISSUE: 02

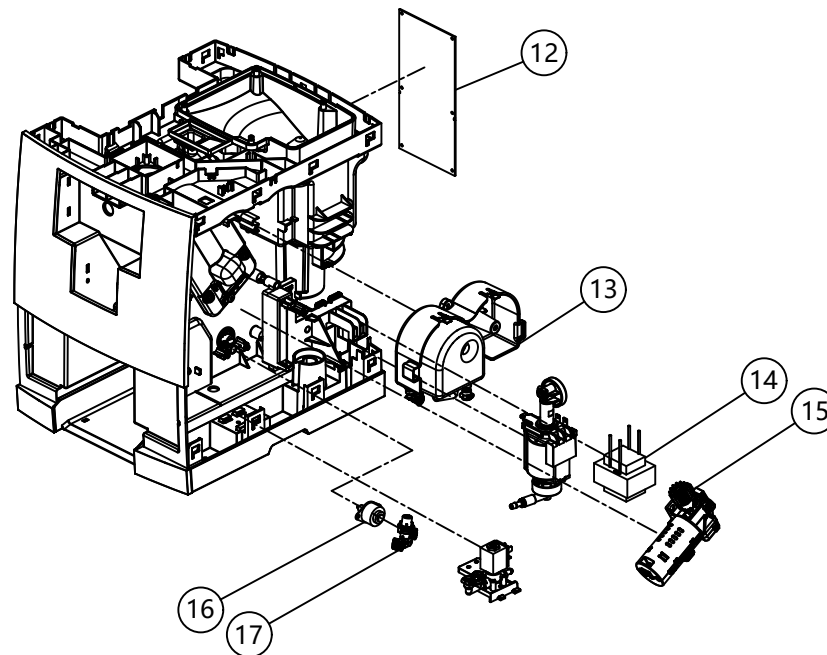
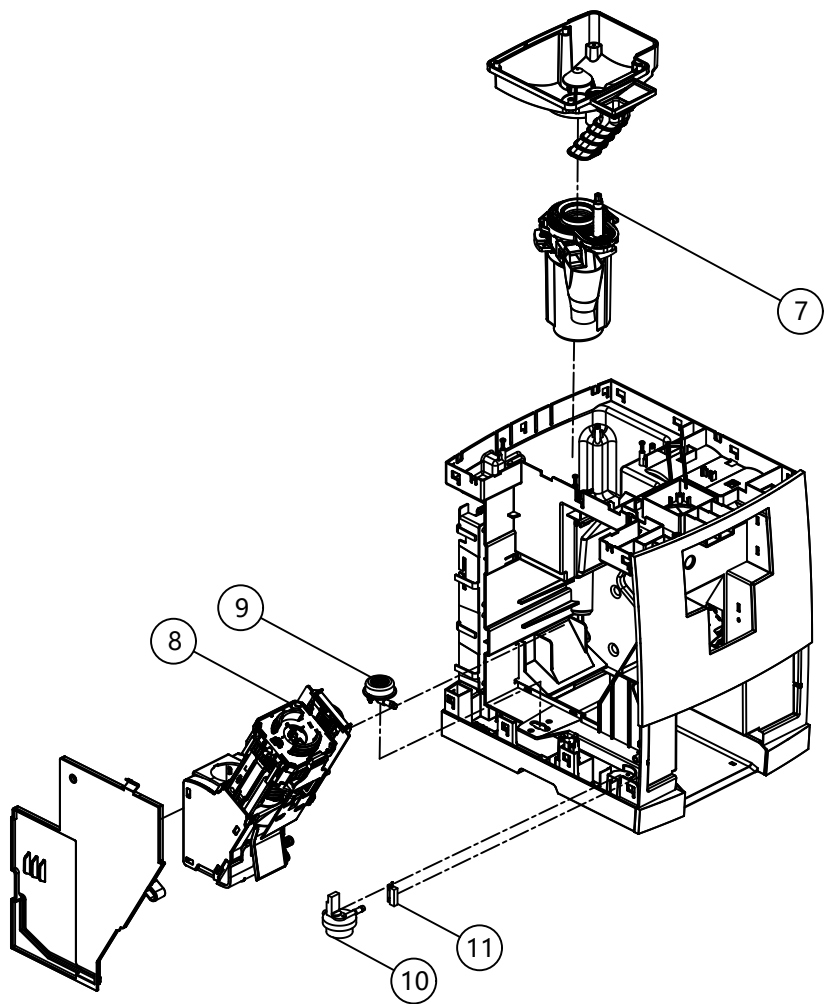


Content

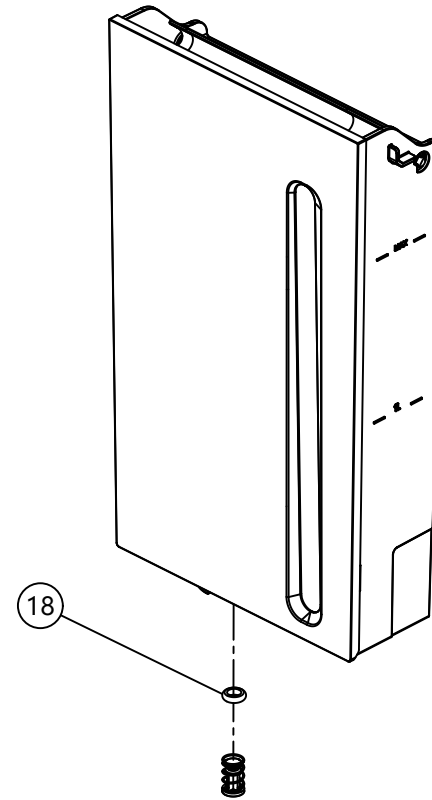
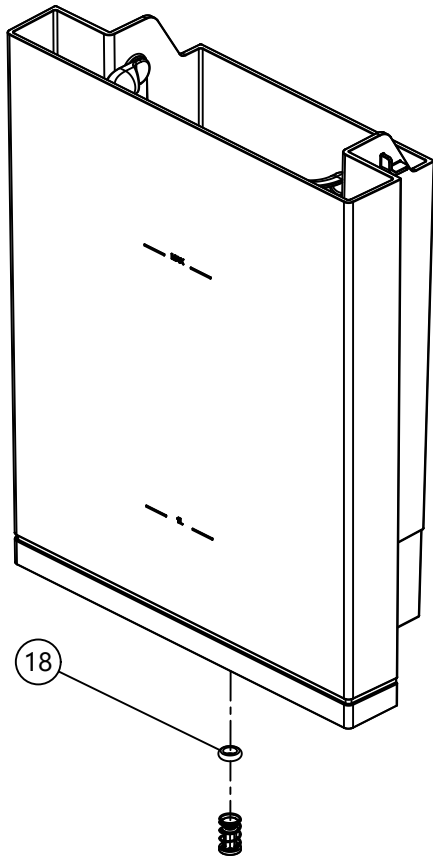
Appearance group.....	.01
Body holder.....	.02
Water tank group.....	.03
Front pannel assembly.....	.04
Drip tray group.....	.05
Brew group.....	.06
Thermoblock assembly.....	.07
Pump group.....	.08
Ginder group.....	.09
Water inlet valve group.....	.10
Solenoid valve group.....	.11



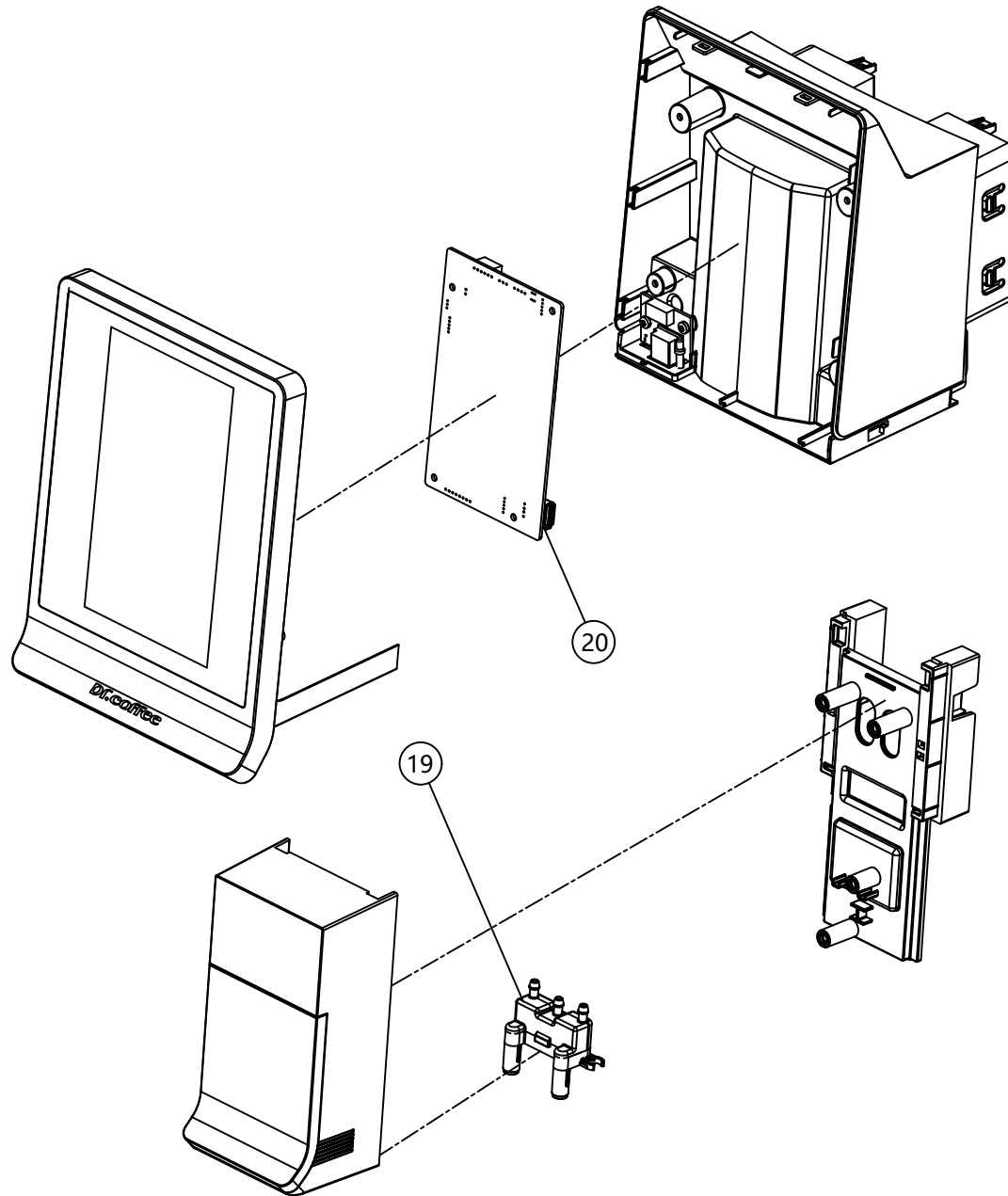
ITEM	DWG NO.	ENGLISH NAME	名称
1	7NN0313	Bean container Group	F10豆盒组
2	7NN0319	Big water tank group(F08)	F10大水箱组(F08)
3	7NN0017	Small water tank group(H08)	F11小水箱组(H08)
4	8D10027	Water level detection PCBA	水位检测PCB
5	7NN0322	Front pannel assembly	F08前面板组
6	7NN0121	Bean container cover	F11豆盒盖组



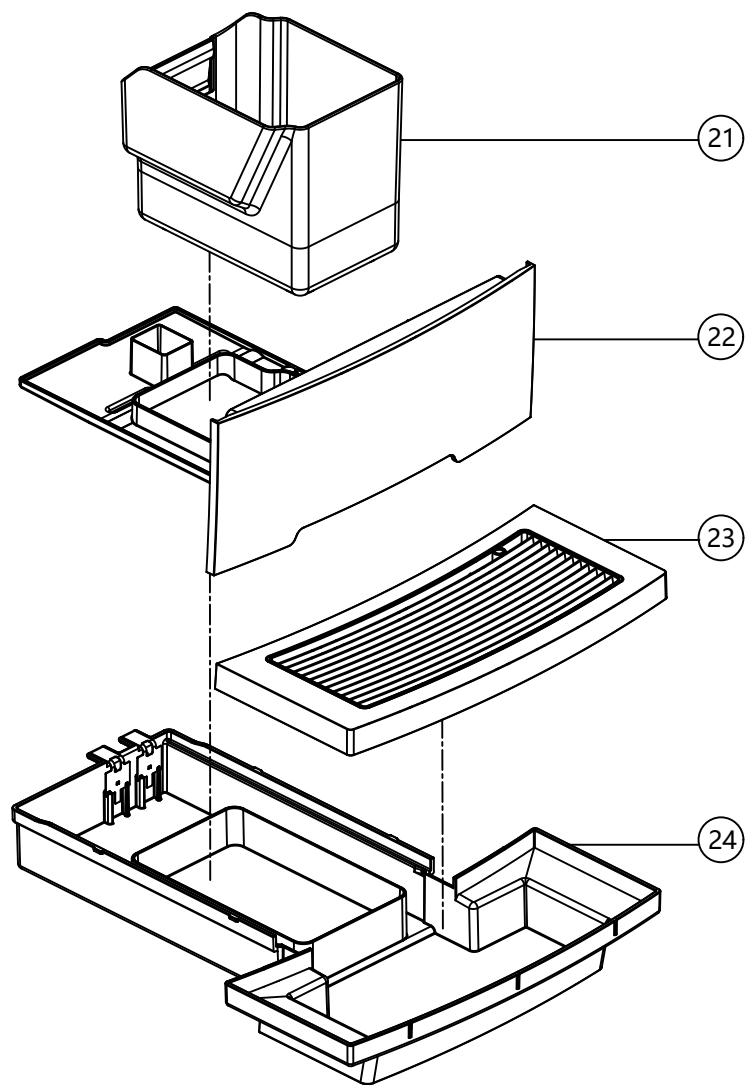
ITEM	DWG NO.	ENGLISH NAME	名称	ITEM	DWG NO.	ENGLISH NAME	名称
7	7NN0112	Ginder group	F09磨豆组	12	8D10042	Main PCBA	F08主板
8	7NN0103	Brew group	F09冲泡器组	13	7NN0320	Thermoblock assembly	F08电热盘组
9	7NN0014	Water inlet valve group	F11导水座组	14	8D30016	Transfomer	F11变压器
10	8D30017	Flowmeter270° (1.2mm)	流量计270度 (1.2mm)	15	7NN0115	Brew motor group	F11传动组
11	8D30013	Reed switch	干簧管	16	8D30014	Stepmotor	泄压步进电机
				17	7NN0009	Dispenser valve 3W	蓄压阀组



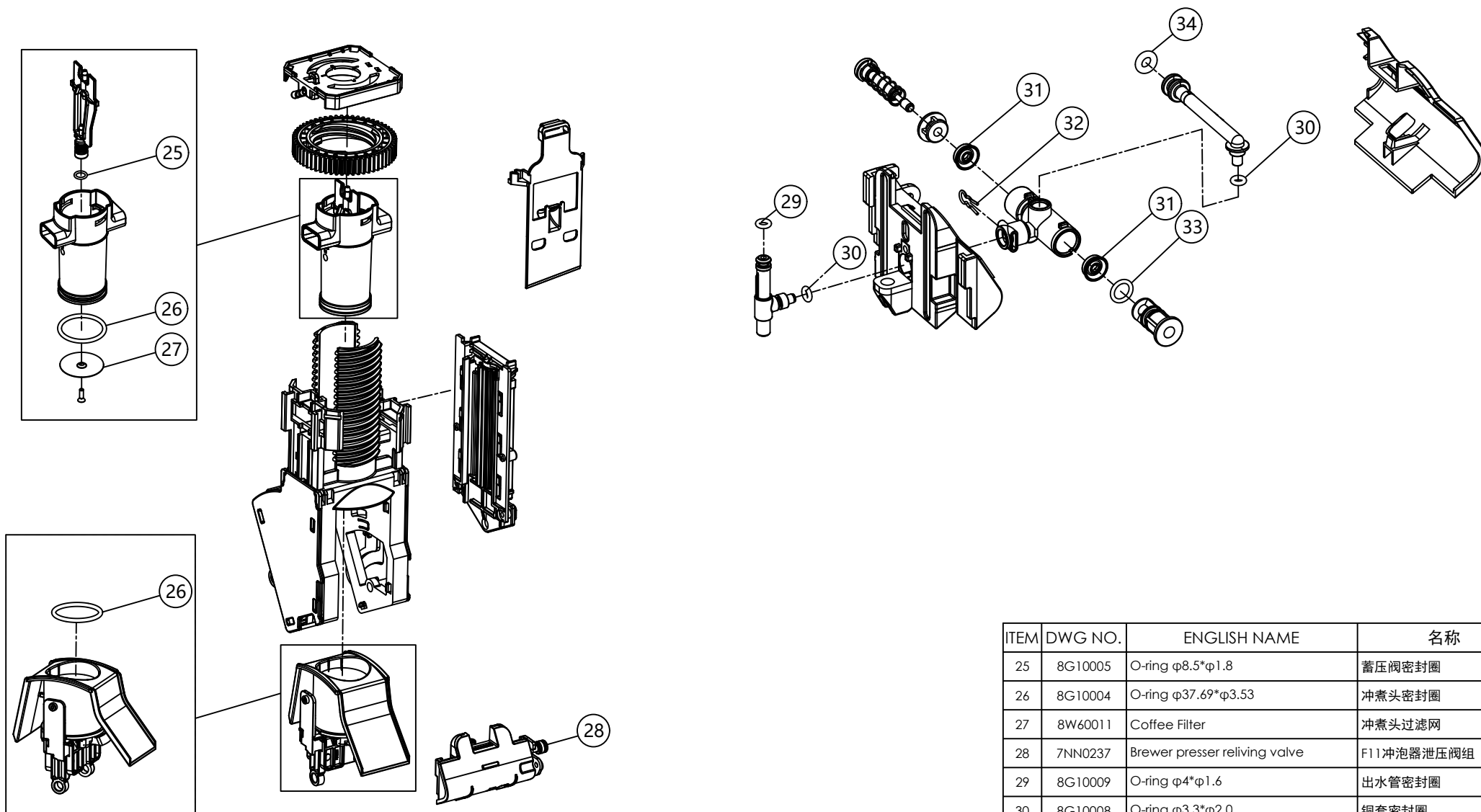
ITEM	DWG NO.	ENGLISH NAME	名称
18	8G10021	O-ring $\phi 5.0 \times \phi 3.75$	大小水箱止逆阀密封圈



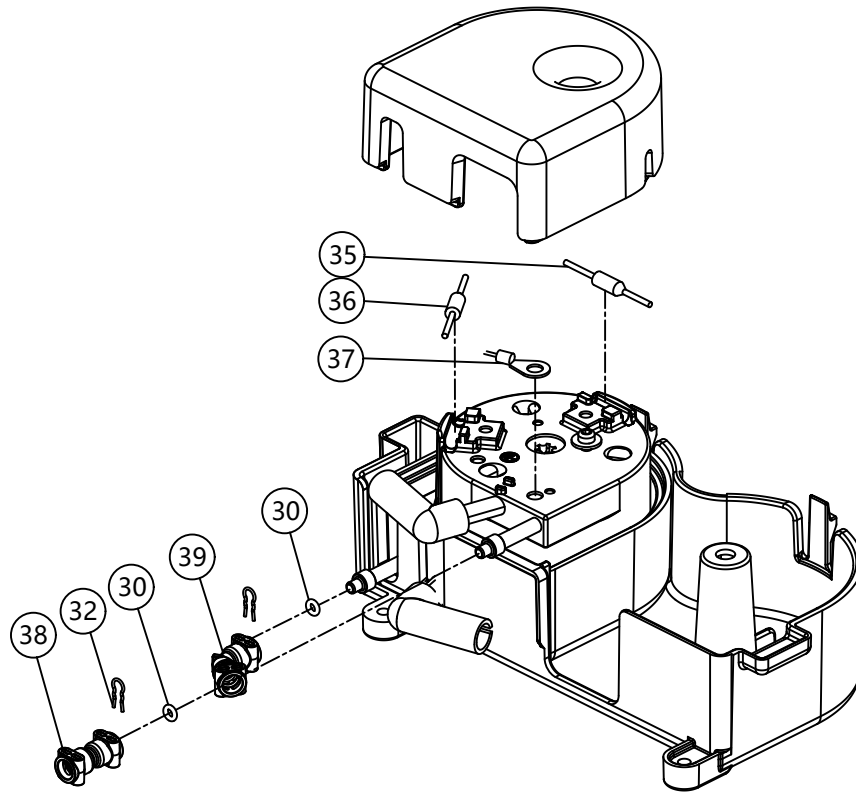
ITEM	DWG NO.	ENGLISH NAME	名称
19	8S10333	Coffee outlet	咖啡出口
20	8D10040	HMI PCBA	F10HMI板



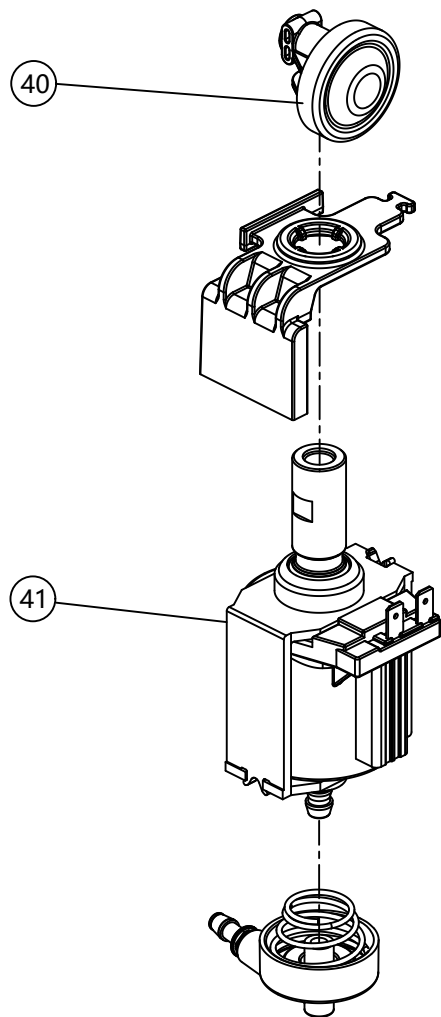
ITEM	DWG NO.	ENGLISH NAME	名称
21	7NN0368	Coffee grounds container	F10废渣盒
22	7NN0540	Coffee grounds container support(silver)	F11废渣盒支撑板(银色)
	7NN0547	Coffee grounds container support(black)	F11废渣盒支撑板(黑色)
	7NN0548	Coffee grounds container support(white)	F11废渣盒支撑板(白色)
	7NN0549	Coffee grounds container support(wine red)	F11废渣盒支撑板(酒红色)
	7NN0550	Coffee grounds container support(orange)	OCS废渣盒支撑板(橙黄色)
	7NN0551	Coffee grounds container support(milky white)	OCS废渣盒支撑板(奶白色)
	7NN0552	Coffee grounds container support(ice blue)	OCS废渣盒支撑板(冰蓝色)
23	7NN0124	Drip tray grill assembly	F11蓄水盘盖组
24	7NN0543	Drip tray	F10蓄水盘



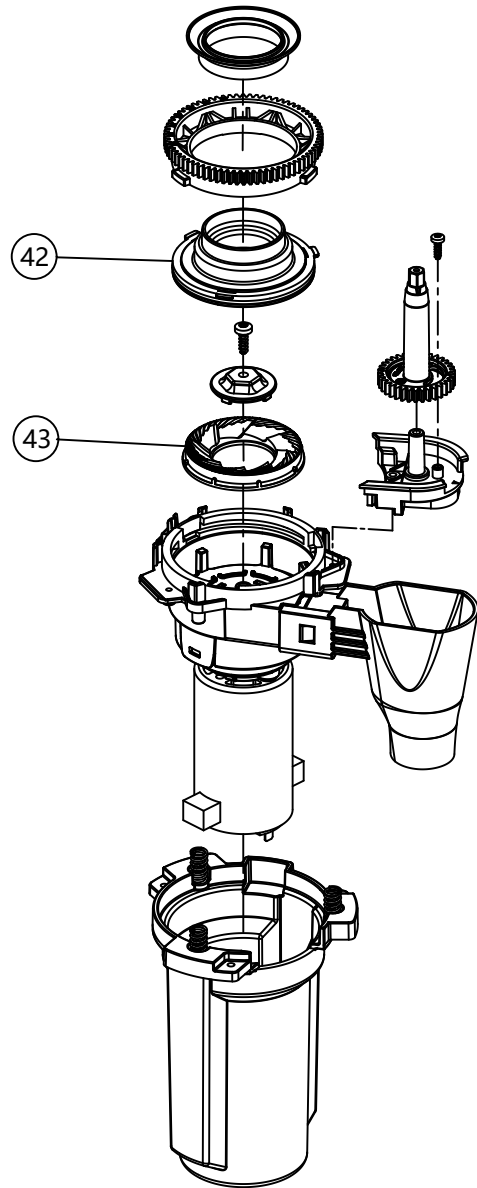
ITEM	DWG NO.	ENGLISH NAME	名称
25	8G10005	O-ring $\phi 8.5 \times \phi 1.8$	蓄压阀密封圈
26	8G10004	O-ring $\phi 37.69 \times \phi 3.53$	冲煮头密封圈
27	8W60011	Coffee Filter	冲煮头过滤网
28	7NN0237	Brewer presser reliving valve	F11冲泡器泄压阀组
29	8G10009	O-ring $\phi 4 \times \phi 1.6$	出水管密封圈
30	8G10008	O-ring $\phi 3.3 \times \phi 2.0$	铜套密封圈
31	8G20007	Y-ring $\phi 12.20 \times \phi 3.65$	泄压阀Y型密封圈
32	8W50023	Spring clip	通用弹簧夹
33	8G10007	O-ring $\phi 8 \times \phi 1.8$	泄水管密封圈
34	8G10001	O-ring $\phi 5.0 \times \phi 3.0$	水箱止逆阀密封圈



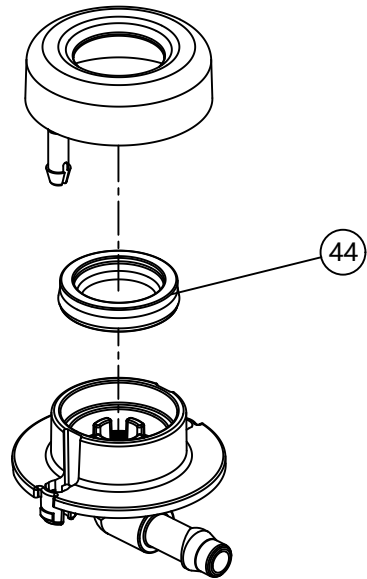
ITEM	DWG NO.	ENGLISH NAME	名称
35	8D20237	Coffee fused-cord-L	咖啡电热盘火线
36	8D20238	Coffee fused-cord-N	咖啡电热盘零线
37	8D30004	Temperature Sensor	电热盘NTC
38	8S10058	Fitting	直通接头
32	8W50023	Spring clip	通用弹簧夹
30	8G10008	O-ring $\phi 3.3 * \phi 2.0$	铜套密封圈
39	8S10428	Fitting	120度两通接头



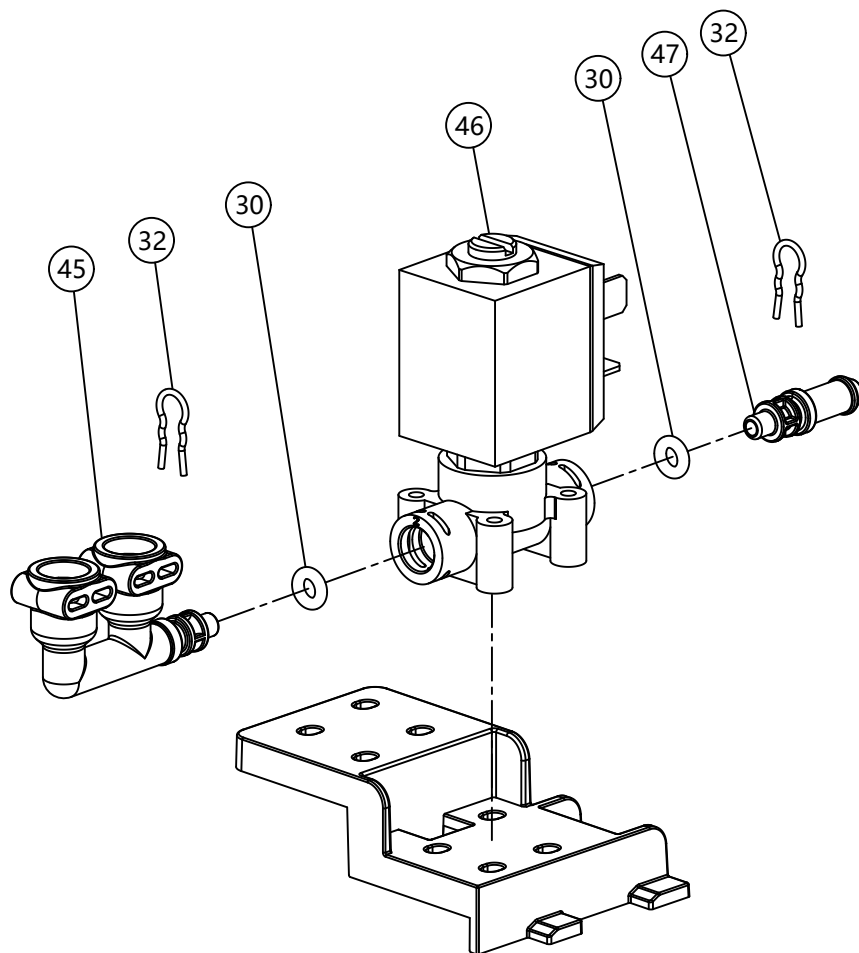
ITEM	DWG NO.	ENGLISH NAME	名称
40	7NN0012	Membrane controller group	稳压阀组
41	8D30051	Pump (220-240V 50Hz)	水泵 (220-240V 50Hz)
	8D30052	Pump (220-240V 60Hz)	水泵 (220-240V 60Hz)



ITEM	DWG NO.	ENGLISH NAME	名称
42	7NN0119	Upper grinder burr assembly	上刀盘组
43	8T10003	Grinder burr	磨豆刀



ITEM	DWG NO.	ENGLISH NAME	名称
44	8G20014	Y-ring $\phi 22.67 * \phi 13.90$	导水座Y型密封圈



ITEM	DWG NO.	ENGLISH NAME	名称
45	8S10059	Fitting	F型接头
32	8W50023	Spring clip	通用弹簧夹
30	8G10008	O-ring $\phi 3.3 \times \phi 2.0$	铜套密封圈
46	8D30021	Solenoid valve 2W	两通电磁阀
47	8S10350	Hose connector(5*9)	软管接头 (5*9)