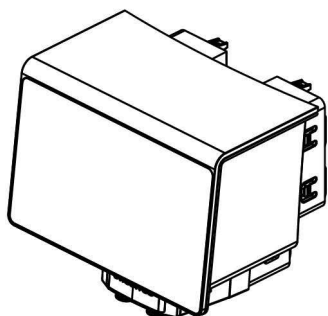


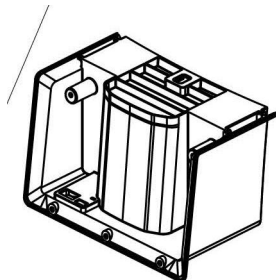


KOTTEA

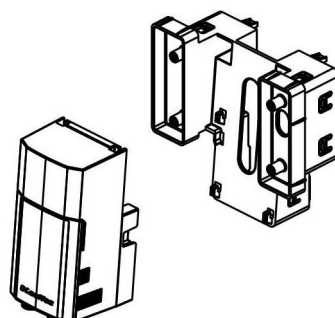
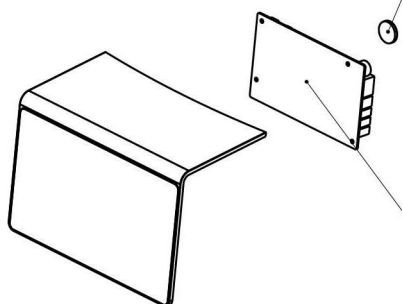
CK500 PRO 1



8.D.3.0064



8.D.1.0002



8.G.1.0003

8.S 1 0043

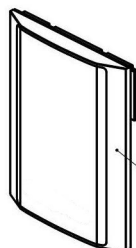
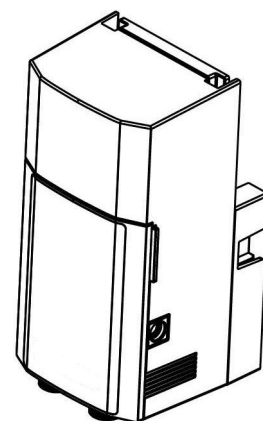
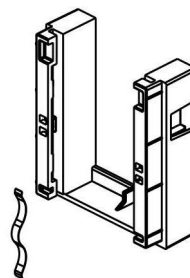
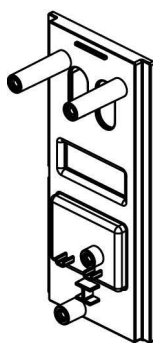
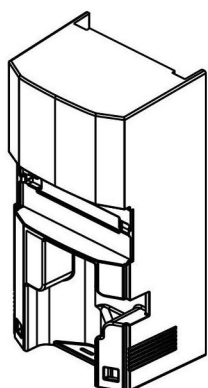
7.NN.0116



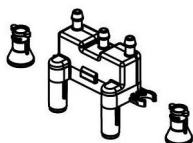
8.G.1.0002

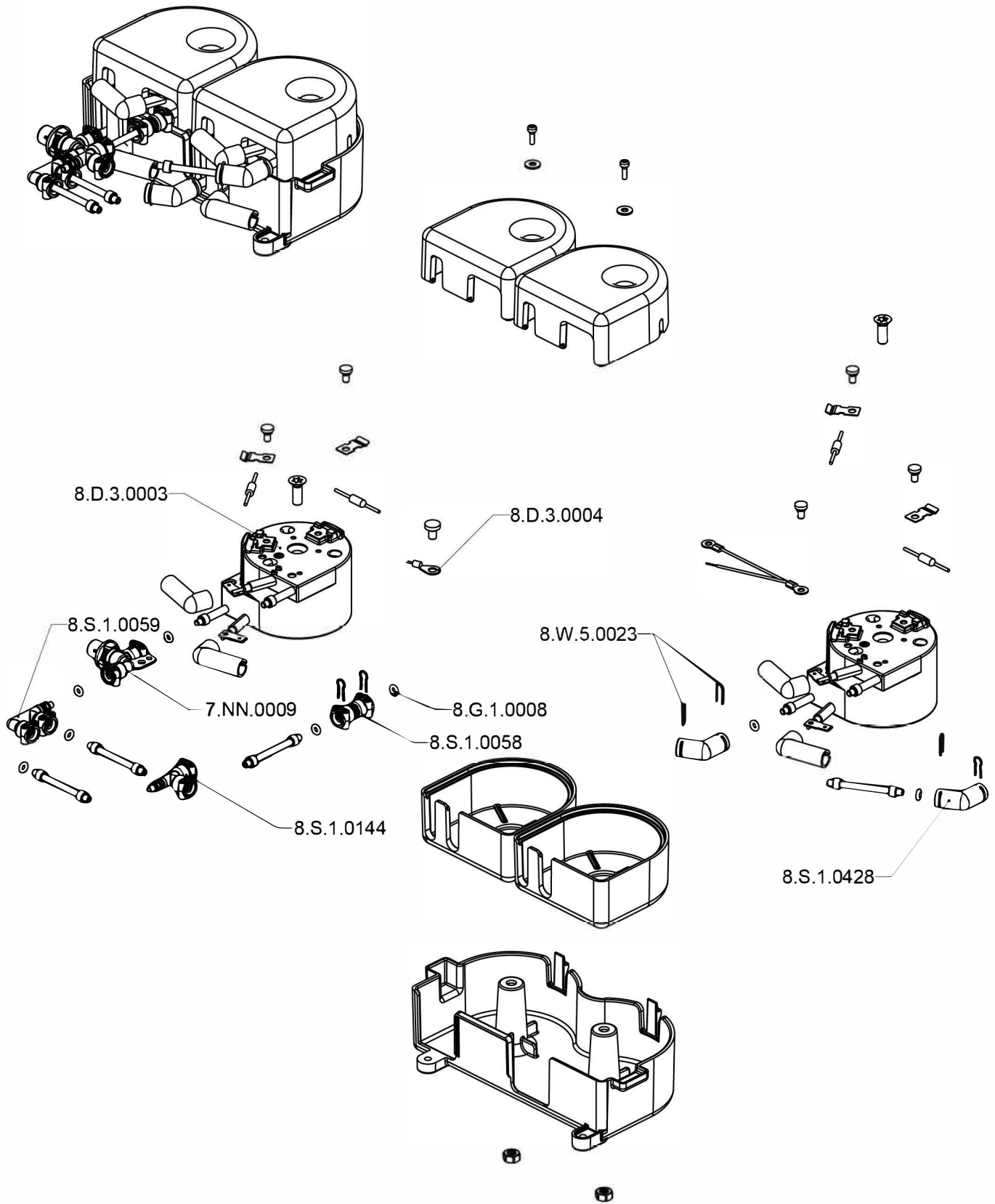


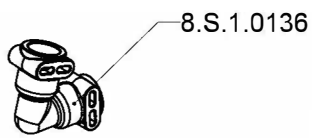
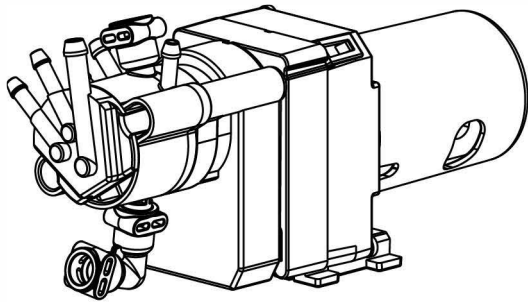
8.G.2.0035



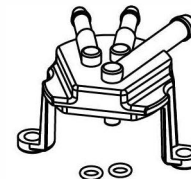
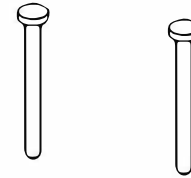
7.NN.0125



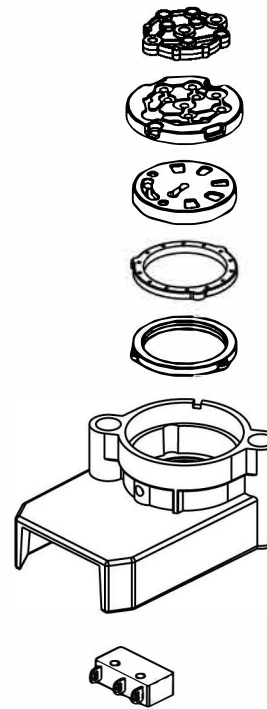
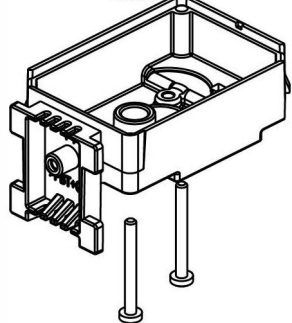
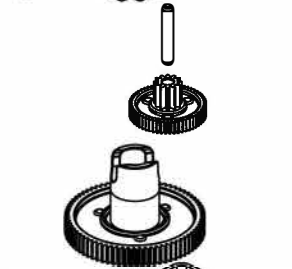
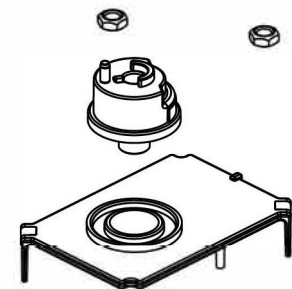
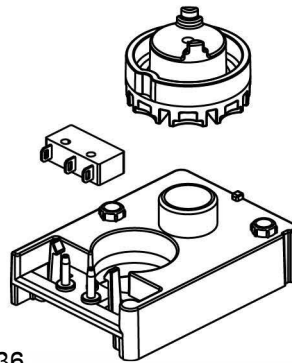
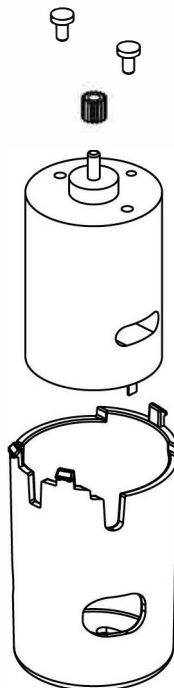


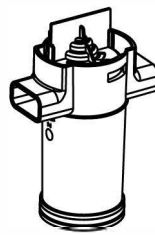
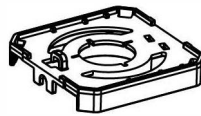
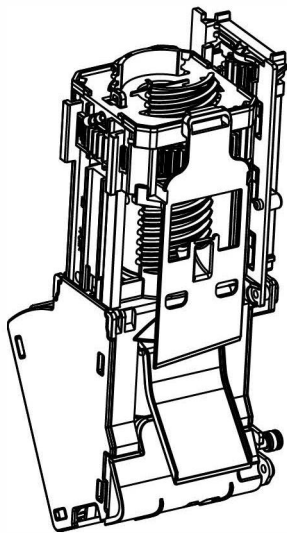


8.S.1.0136



8.G.1.0003

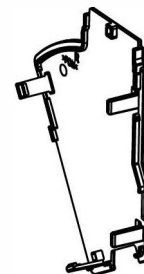
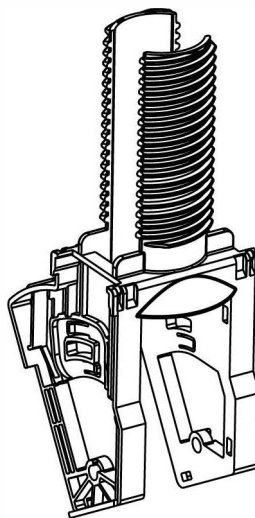
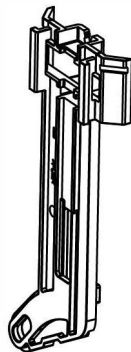
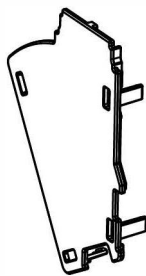
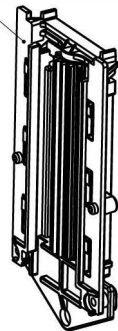




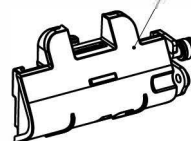
8.S.1.0067

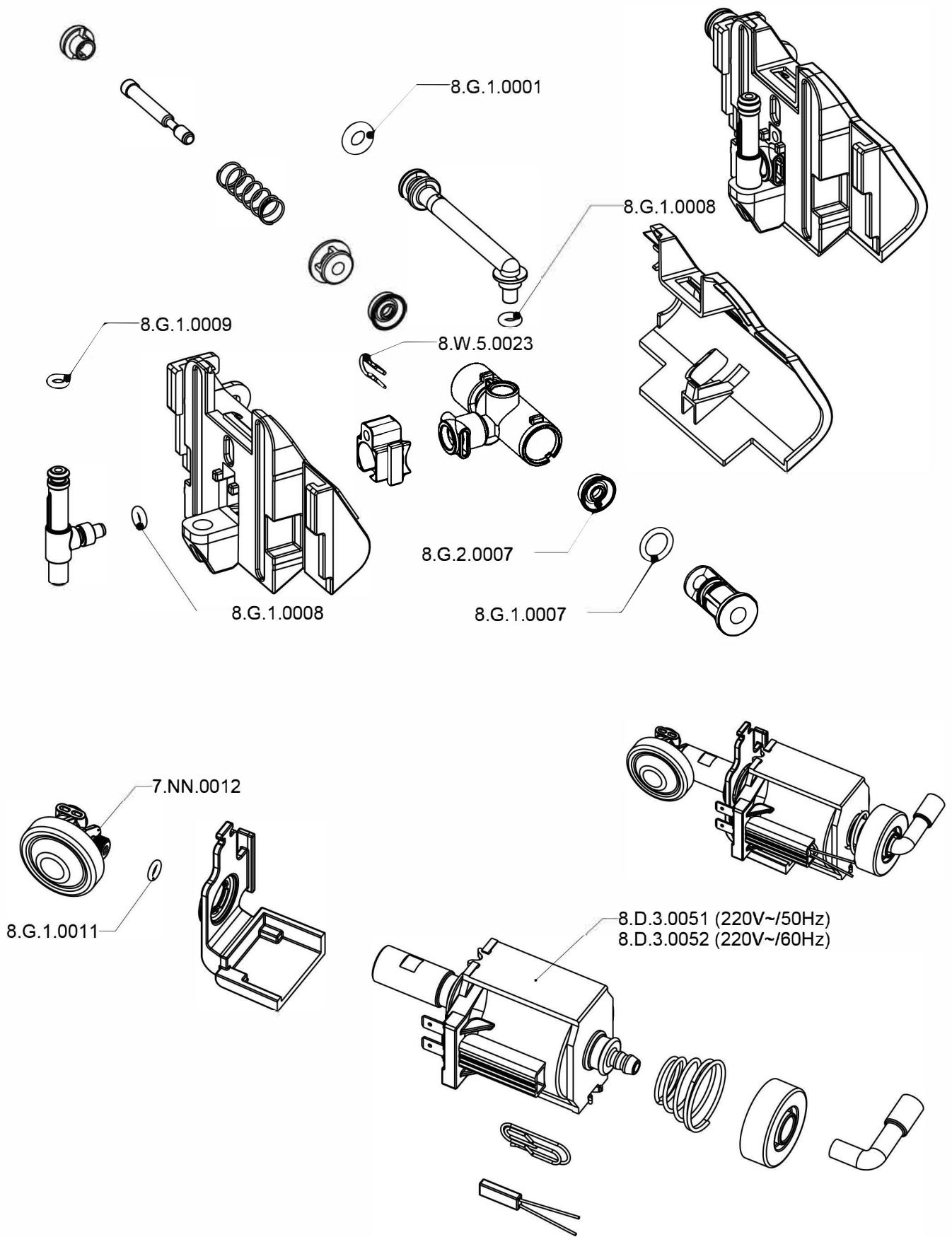


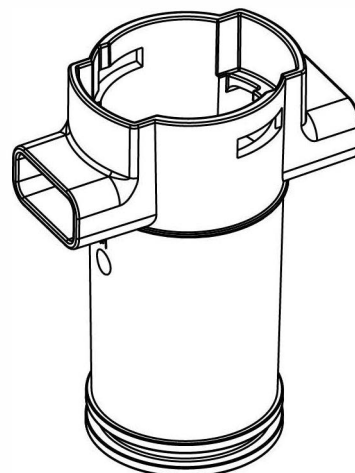
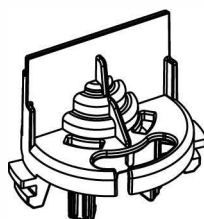
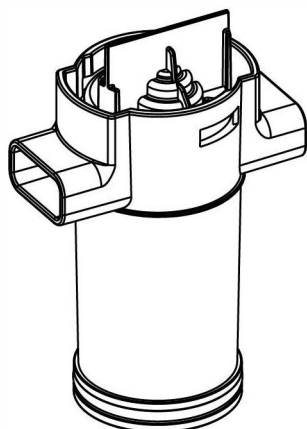
7.NN.0183



7.NN.0237



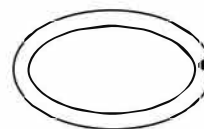




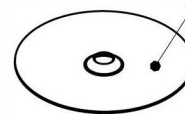
8.G.1.0005

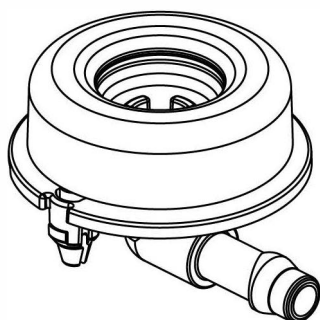


8.G.1.0004

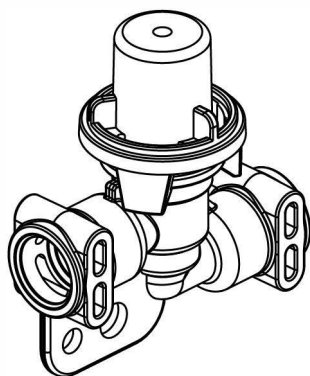
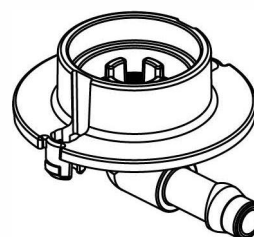
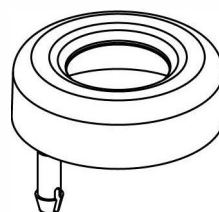


8.W.6.0011

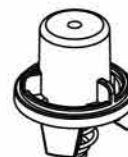


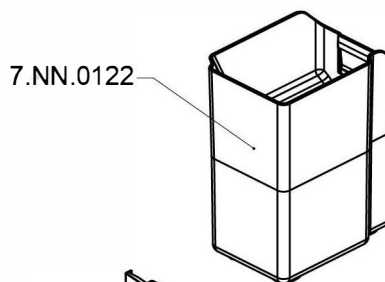
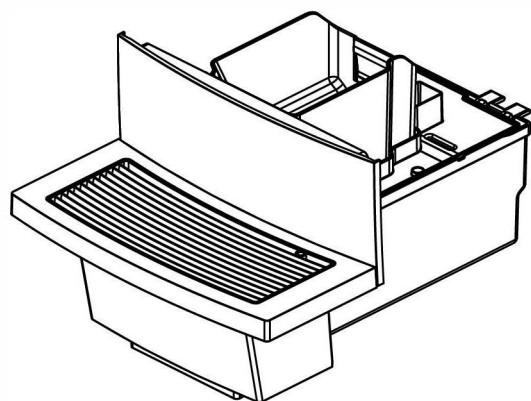


8.G.2.0014

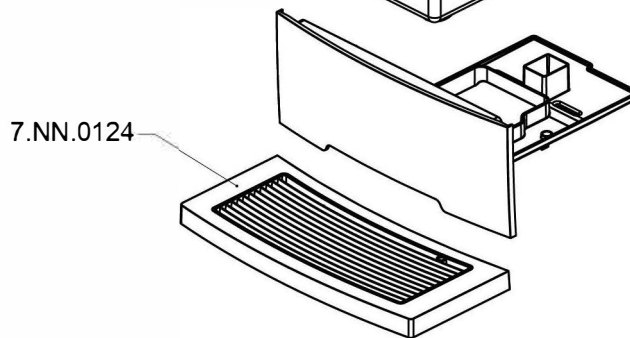


8.G.1.0012

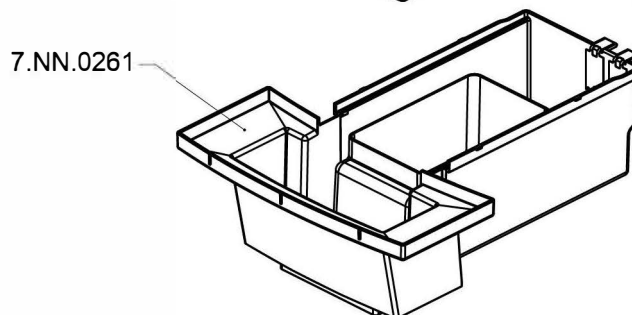




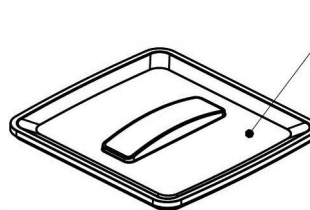
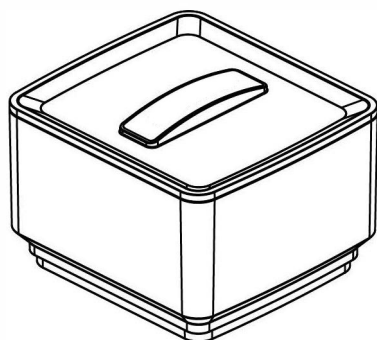
7.NN.0122



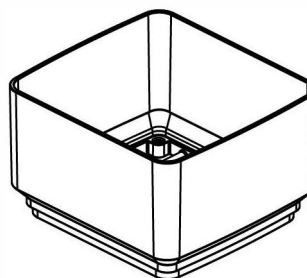
7.NN.0124



7.NN.0261



7.NN.0121



CRC500

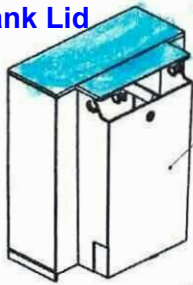
Dr. coffee

Explosive view V:1.0

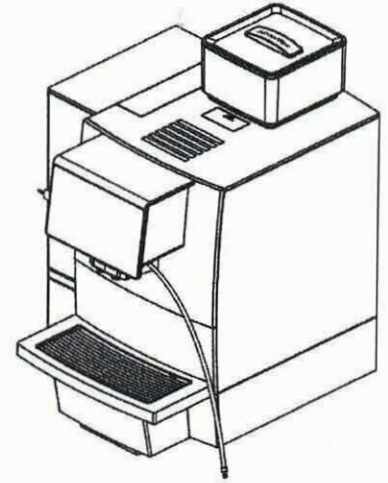


Drain Pipe 7.NN.0056

Water Tank Lid

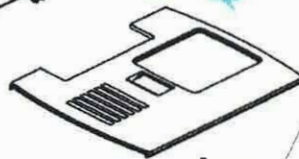


7.NN.0057



7.NN.0117

Coffee powder lid



7.NN.0017

7.NN.0010

8.D.1.0003

7.NN.0008
Specomplet

8.D.1.0004

7.NN.0014

8.D.1.0027

7.NN.0058

8.D.3.0016

7.NN.0005

8.D.3.0014

7.NN.0115

8.D.3.0017

7.NN.0202

7.NN.0007

8.D.3.0013

7.NN.0120

7.NN.0011

7.NN.0004

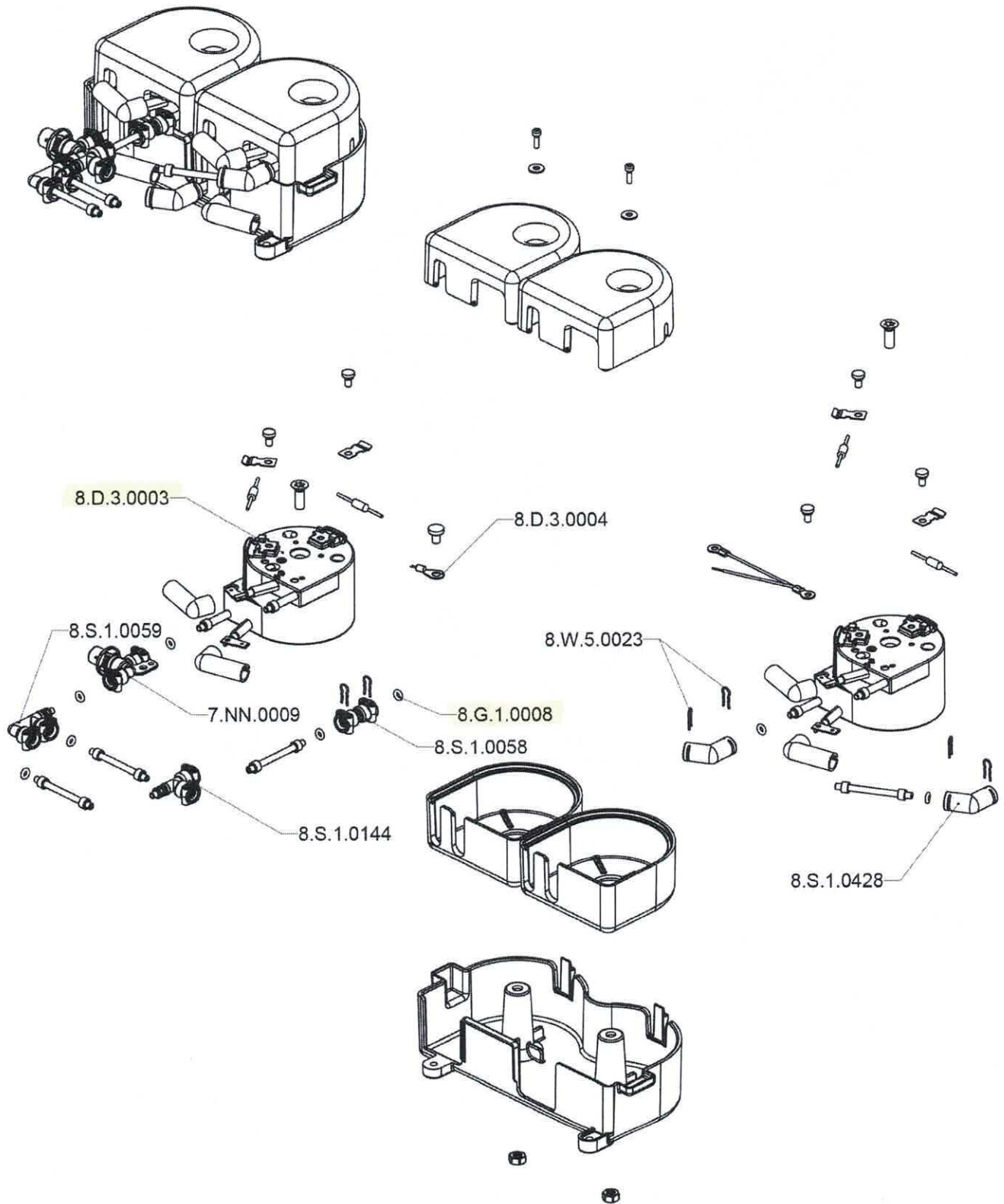
Side Walls (2 parts)



CK500

Dr.coffee

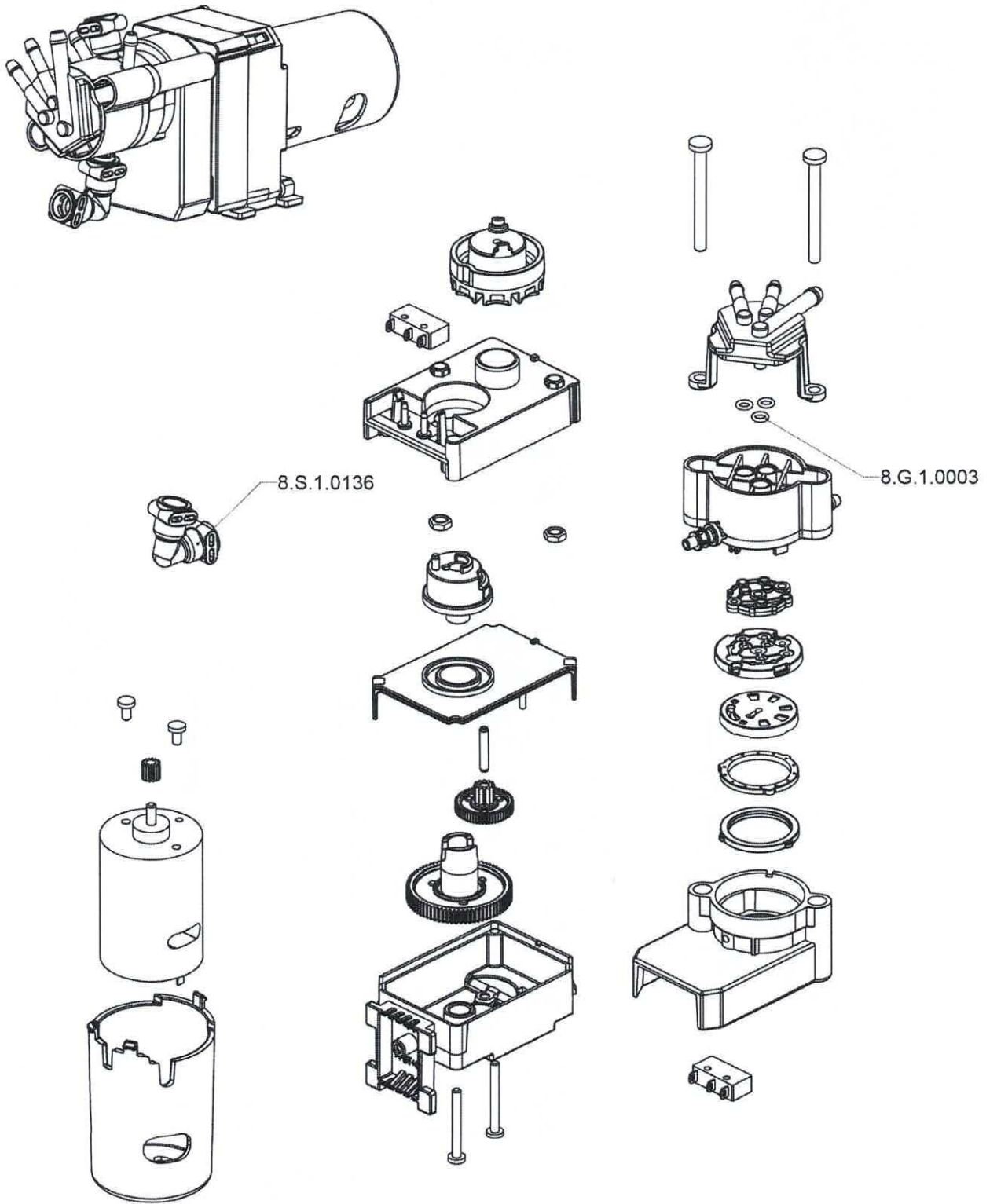
Explosive view V:1.0



CK 590

Dr.coffee

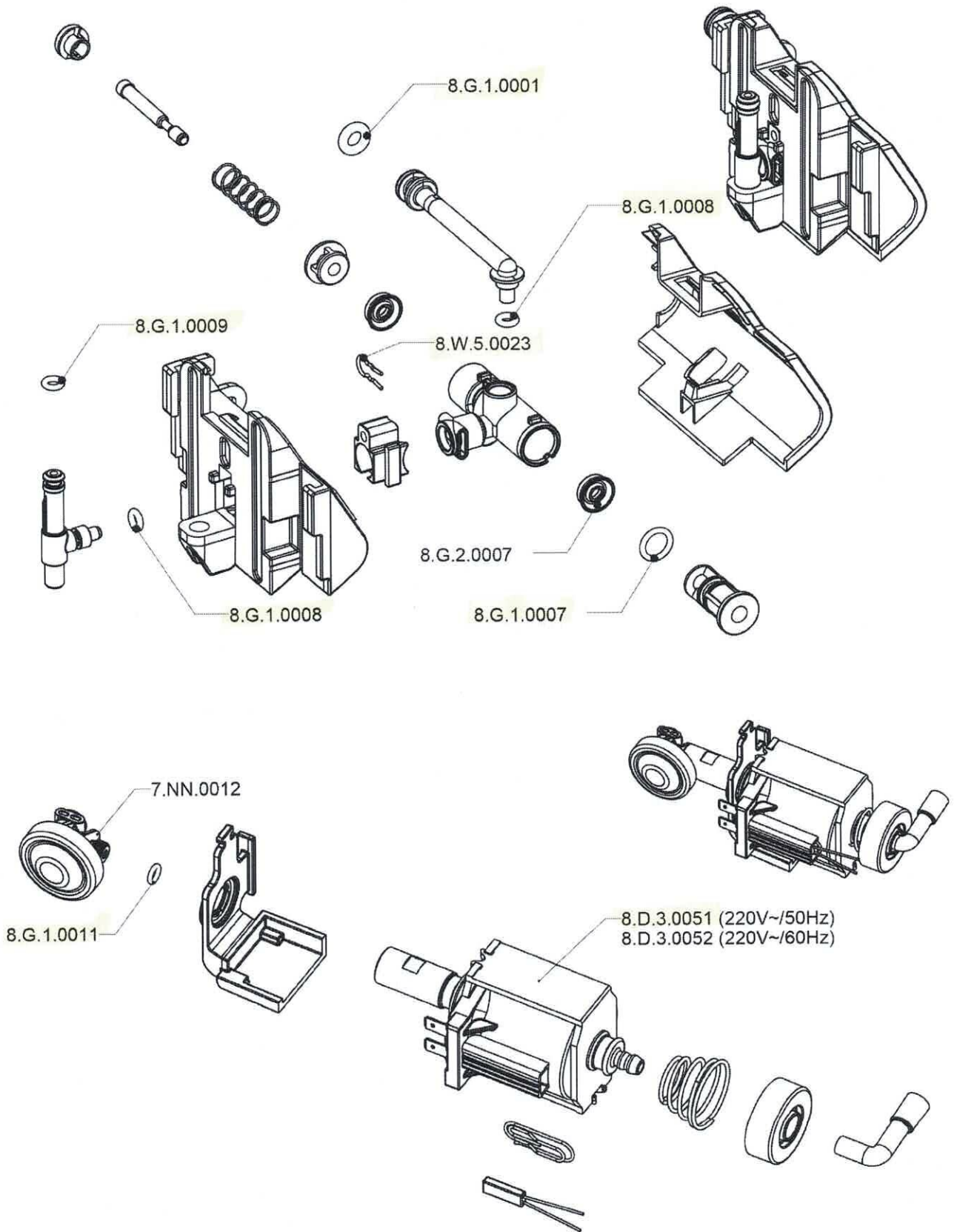
Explosive view V:1.0



OK500

Dr.coffee

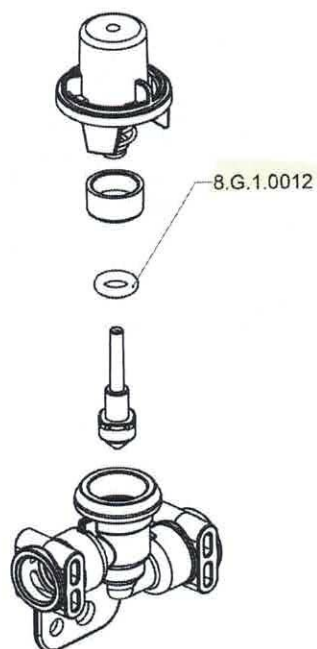
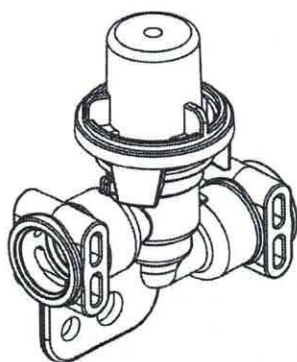
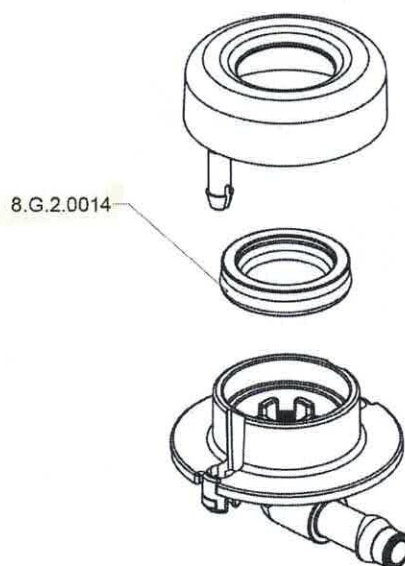
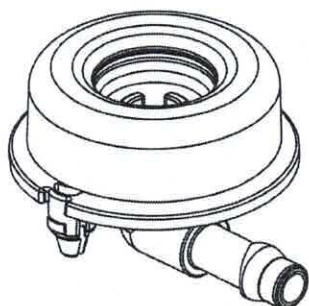
Explosive view V:1.0

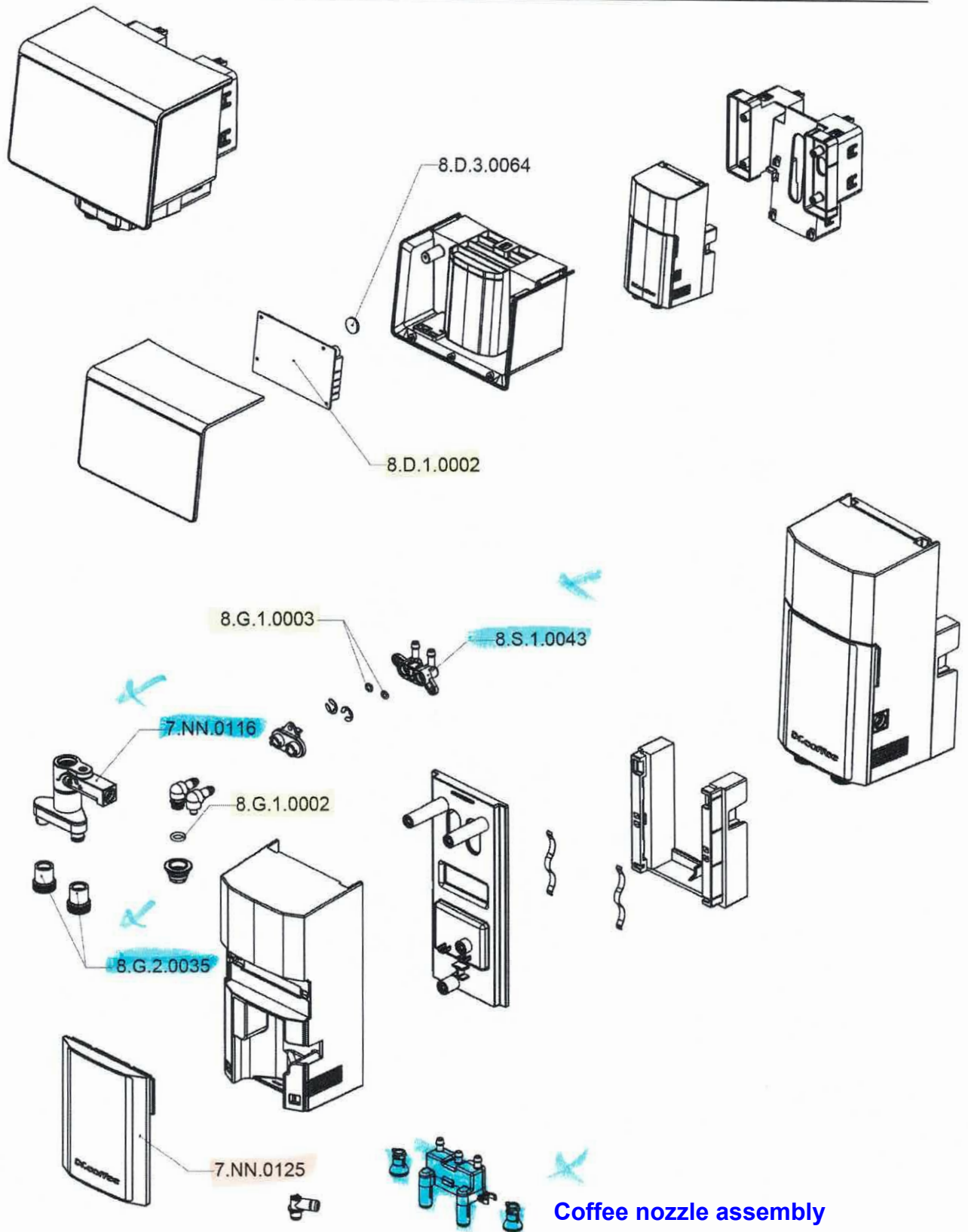


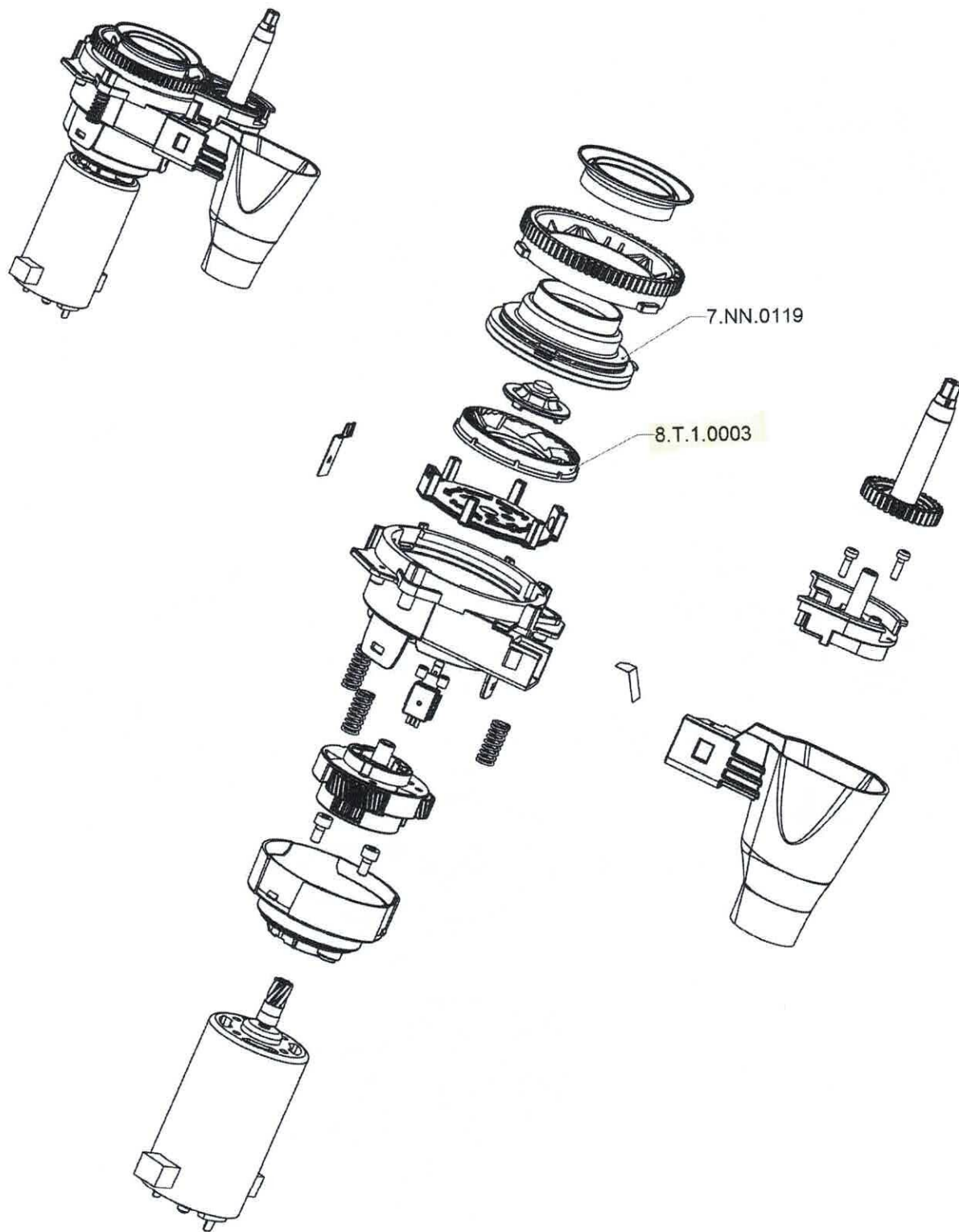
CK500

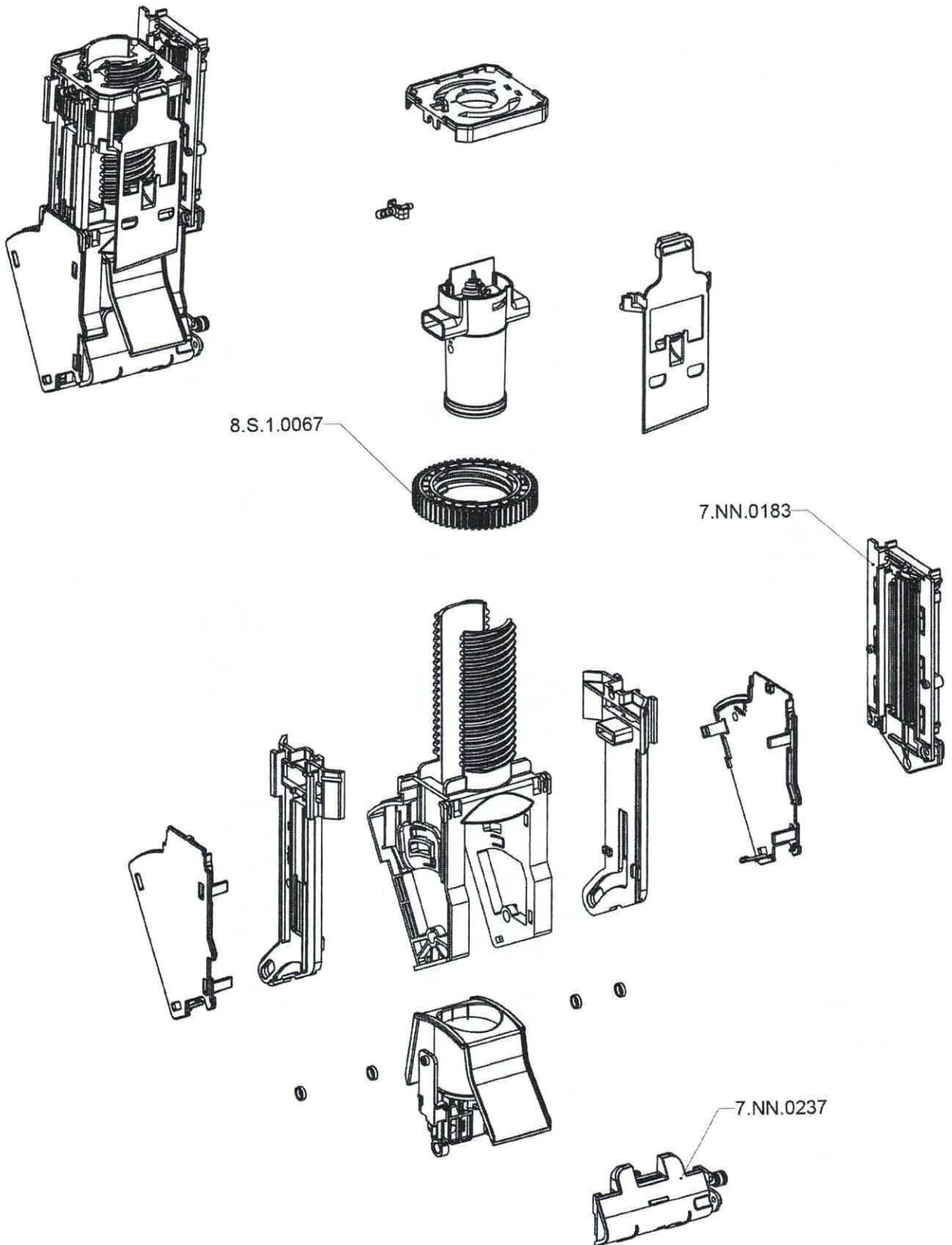
Dr.coffee

Explosive view V:1.0









8.S.1.0067

7.NN.0183

7.NN.0237

